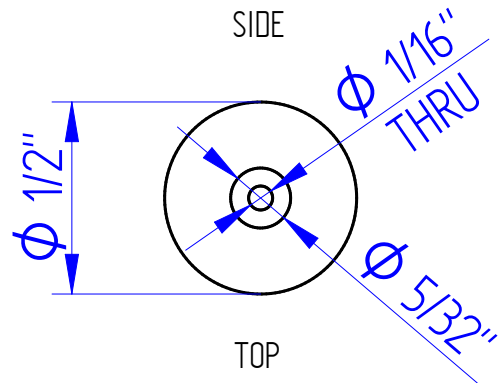
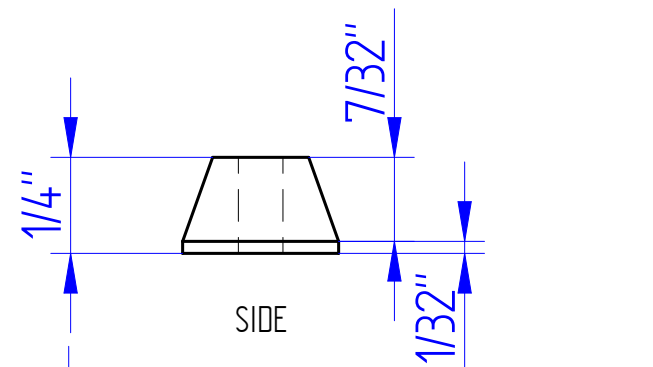


SIDE

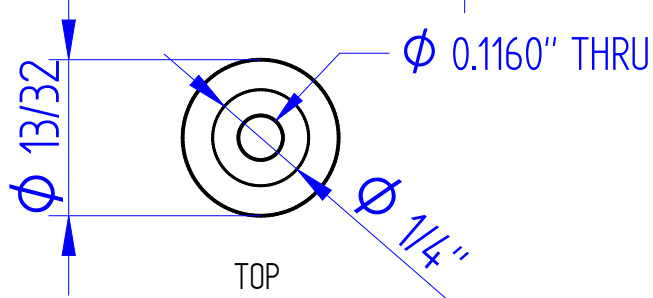


TOP

TOP NOZZLE

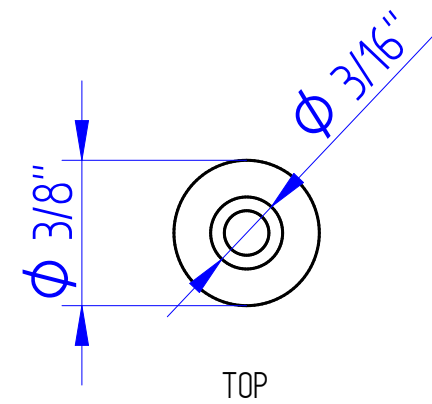
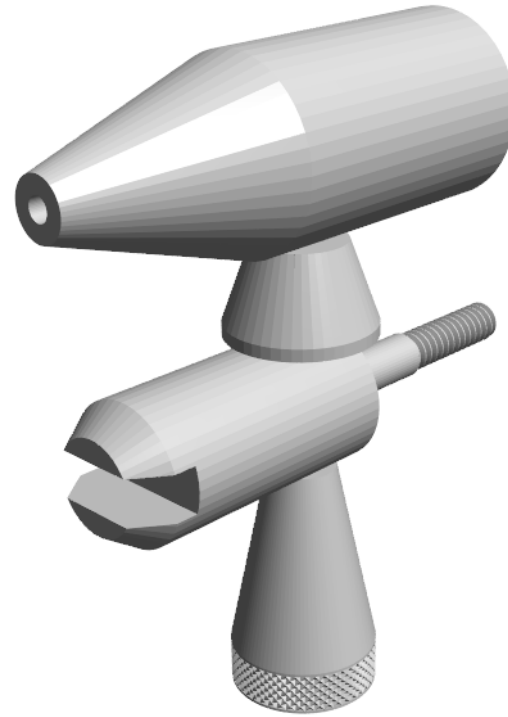


SIDE

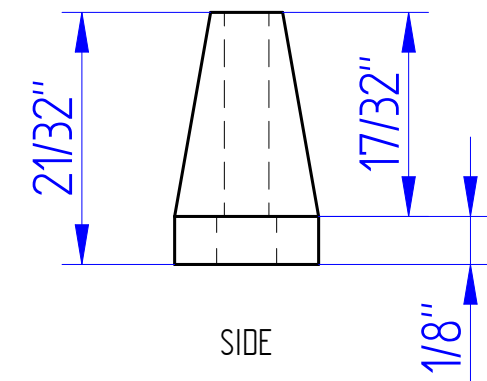


TOP

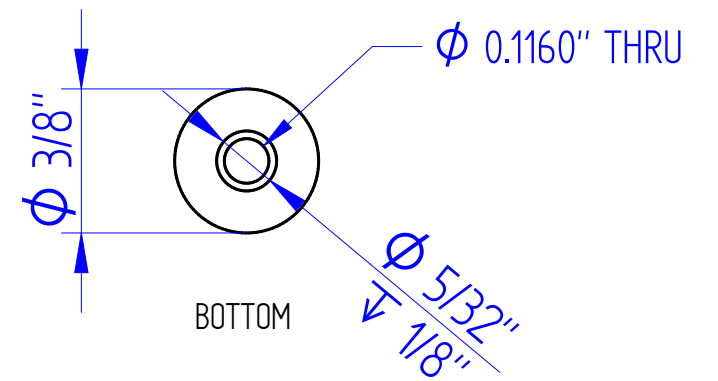
SPACER



TOP

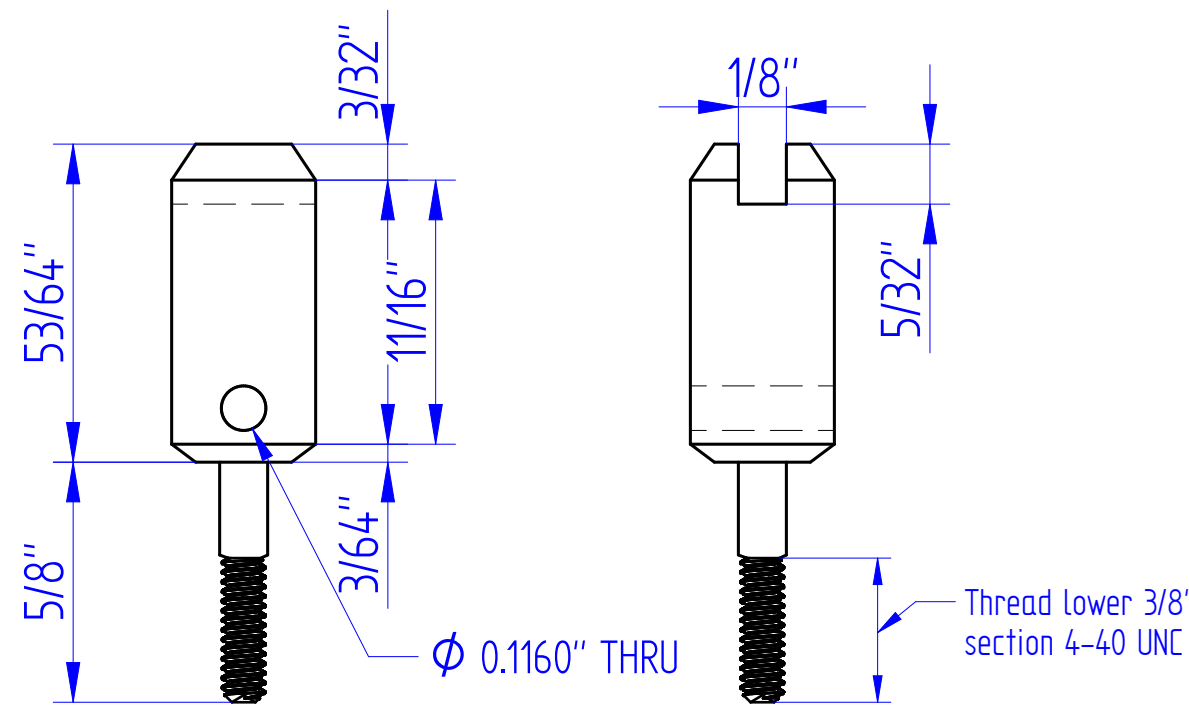


SIDE

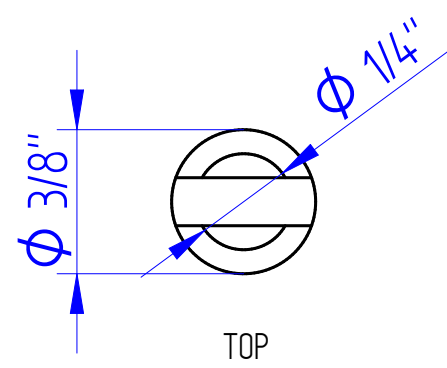


BOTTOM

KNOB

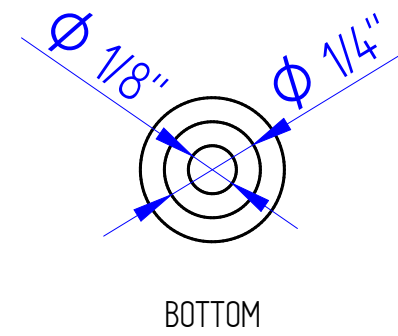


SIDE



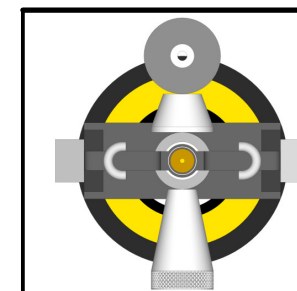
TOP

BRACKET



BOTTOM

UNDER REVIEW



UNLESS OTHERWISE SPECIFIED
DIMENSIONS ARE IN INCHES

TinyP R2-D2 Gadgets

TITLE
Power Charge Arm (Zapper)

SIZE A3	PART Head Components 1	REV 1.0
------------	---------------------------	------------

FILE NAME: R2-D2 Power Charge Arm - Head Components 1.pdf

SCALE: 2:1	WEIGHT:	SHEET 1 OF 1
------------	---------	--------------