

Aluminum Rod  
3/8" OD  
Quantity: Need about 24" in total cut to specified lengths.  
Note: bring a section of the 7/16" Brass Tubing to fit over the aluminum rod as some are a bit undersized.

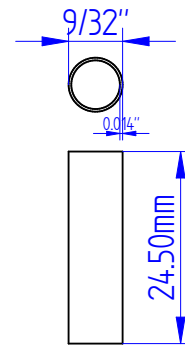
Brass Tubing  
7/16" OD, 3/4" ID, .032" Wall, 3' Length  
McMaster Part Number: 8950K613  
Quantity: 24 pieces cut to 5/32" lengths

2-56 Threaded Rod  
Quantity: 24  
Note: - cut to length from 2-56 machine screws or from threaded rods  
- bottom sticks out further from the nut than the top

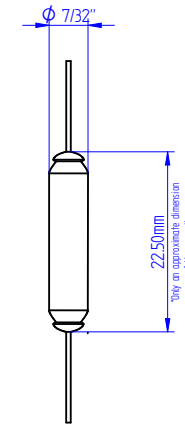
Brass Undersized Machine Screw Hex Nut  
2-56 Thread Size, 5/32" Width, 1/16" Height  
McMaster Part Number: 95130A105  
Quantity: 24

4-40 Threaded Rod (ONLY FOR 2-PIECE CYLINDER)  
Quantity: 12  
Note: - cut to length from 4-40 machine screws or from threaded rods

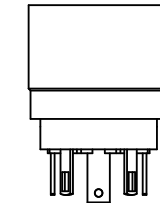
2-PIECE DESIGN  
TALL CAPPED CYLINDERS



FRONT CYLINDERS



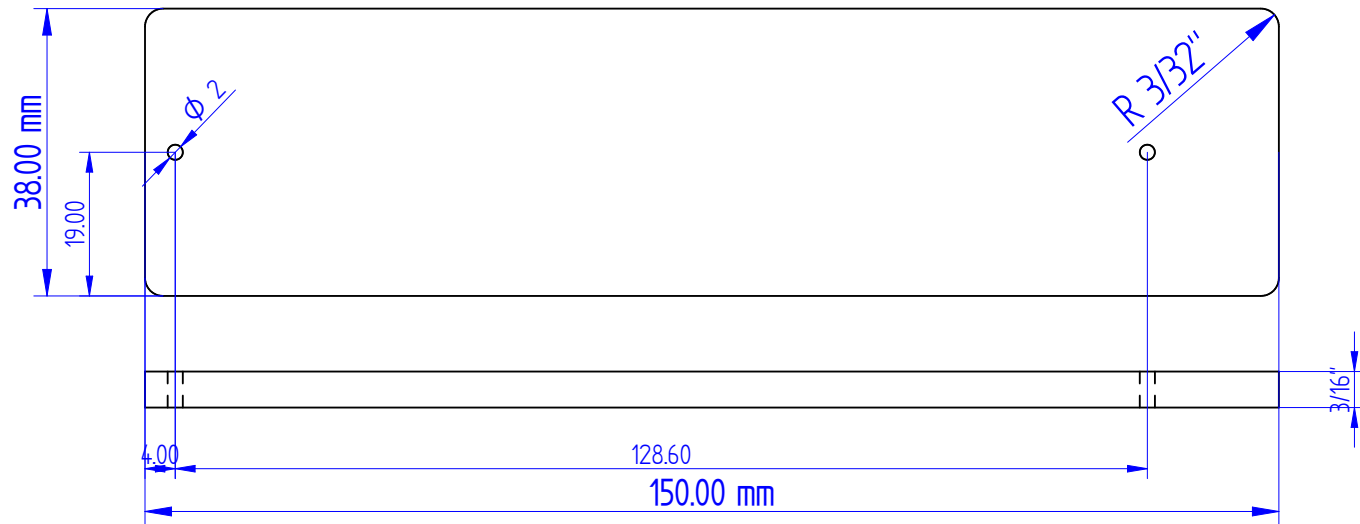
TCC CAPACITORS  
Quantity: 50



7-PIN TUBE SOCKET  
Quantity: 12

7-Pin Tube Shield Collar  
surplussales.com Part Number: (TUA) CPFIC-750  
NOTE: Only inner sleeve is used and trimmed down to 15.5mm.  
Mounting Flange discarded.

7-Pin Miniature Tube Socket  
surplussales.com Part Number: (TUA) TS102P03  
NOTE: Mounting Flange discarded.



BASE PLATE  
Quantity: 3 (2 Front Rack, 1 Rear Rack)

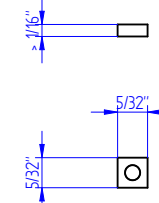


U-CHANNEL POSTS

18-8 Stainless Steel Knurled Head Captive Panel Screw  
with Slotted Drive, 4-40 Thread, 3/8" Long  
McMaster Part Number: 91035A190  
Quantity: 4  
NOTE: File down bevel

Flat Washer  
1/4" OD, 1/8" ID, .03" Thick  
Quantity: 4

Aluminum Female Threaded Round Standoff  
1/4" OD, 3/4" Length, 4-40 Screw Size  
McMaster Part Number: 93330A437  
Quantity: 4



SQUARE NUT  
Quantity: 8

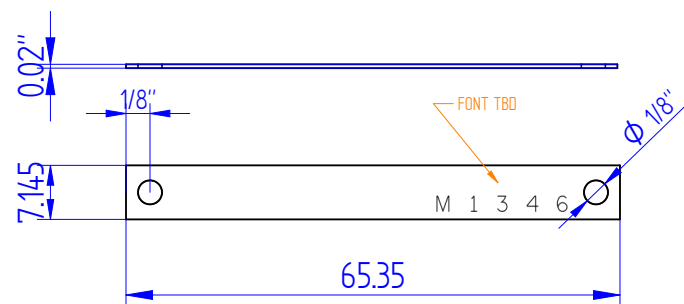


PANEL PLUG DETAIL

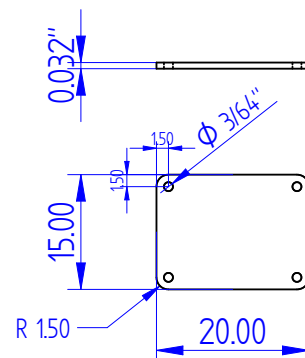
Tubing  
1/4" OD,  
Quantity: 2 cut to 25/64" length

Tubing  
7/32" OD  
Quantity: 2 cut to 3/8" length  
NOTE: 6 section cuts as shown

Panel Mount RCA Jack  
allelectronics.com Part Number: RCAJ-1  
Quantity: 2



"M1346" PLATE  
Quantity: 2



CORNER PLATE  
Quantity: 2

Brass Flat Washer, Number 00 Screw Size  
7/64" OD, .01"-.02" Thick  
McMaster Part Number: 92916A280  
Quantity: 8

18-8 Stainless Steel Miniature Machine Screw Hex Nut  
00-90 Thread Size, 5/64" Width, .044" Height  
McMaster Part Number: 90001A403  
Quantity: 8

Brass Round Head Slotted Machine Screw  
00-90 Thread, 1/2" Length (cut to length)  
McMaster Part Number: 92482A235  
Quantity: 8

\*NOTE:  
Use Low Profile Head Rivet or  
Truss Head Machine Screw  
Quantity: 4

UNDER REVIEW

		<h1>TinyP MSE-6</h1>	
		<h2>Full Scale MSE-6</h2>	
SIZE A3	PART Top Rack Components	REV 1.0	
FILE NAME: TinyP MSE-6 Top Rack Components.pdf			
SCALE:	WEIGHT:	SHEET 1 OF 1	

UNLESS OTHERWISE SPECIFIED  
DIMENSIONS ARE IN MILLIMETERS