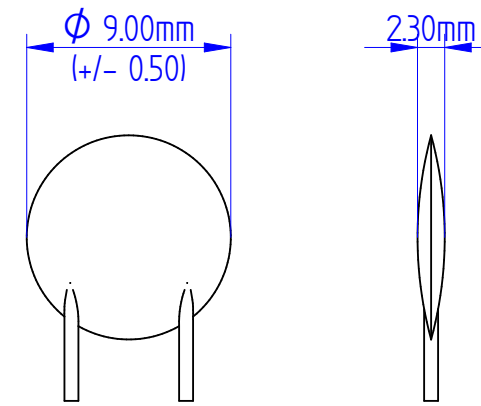


Jacketed Jumper

Jacketed Jumper



DISC CAPACITORS

Quantity: 72 pcs

DAUGHTER BOARD DETAILS



TinyP MSE-6

TITLE
Full Scale MSE-6

SIZE A3	PART Daughter Boards and Disc Capacitors	REV 1.0
------------	---	------------

FILE NAME: TinyP MSE-6 Daughter Board Details.pdf

SCALE: 3:1	WEIGHT:	SHEET 1 OF 1
------------	---------	--------------

UNDER REVIEW

UNLESS OTHERWISE SPECIFIED
DIMENSIONS ARE IN MILLIMETERS