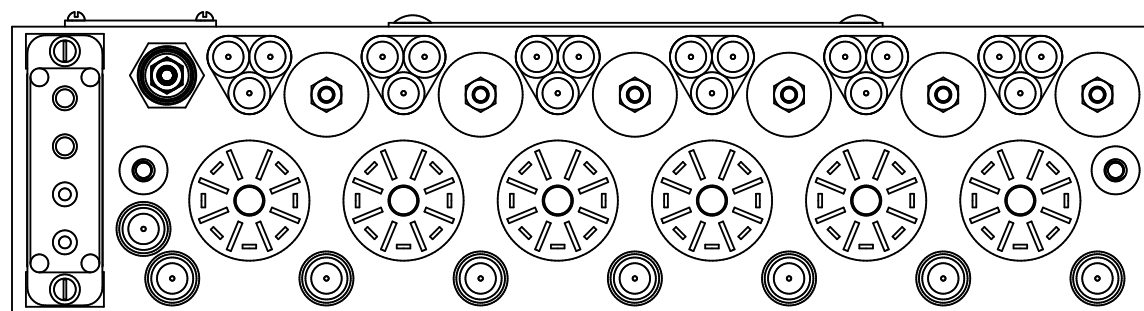
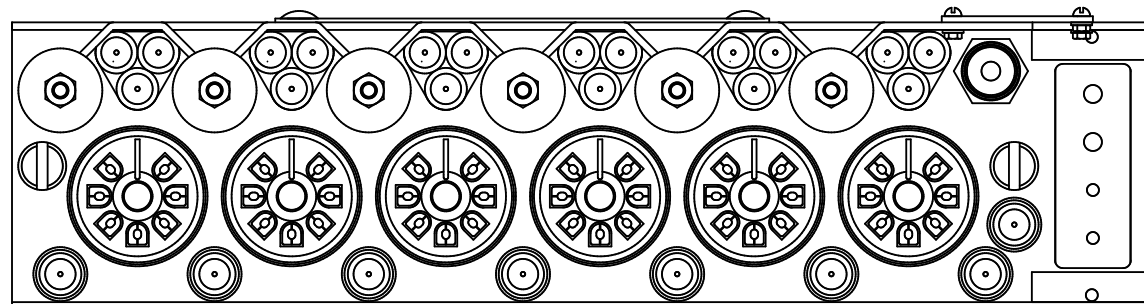


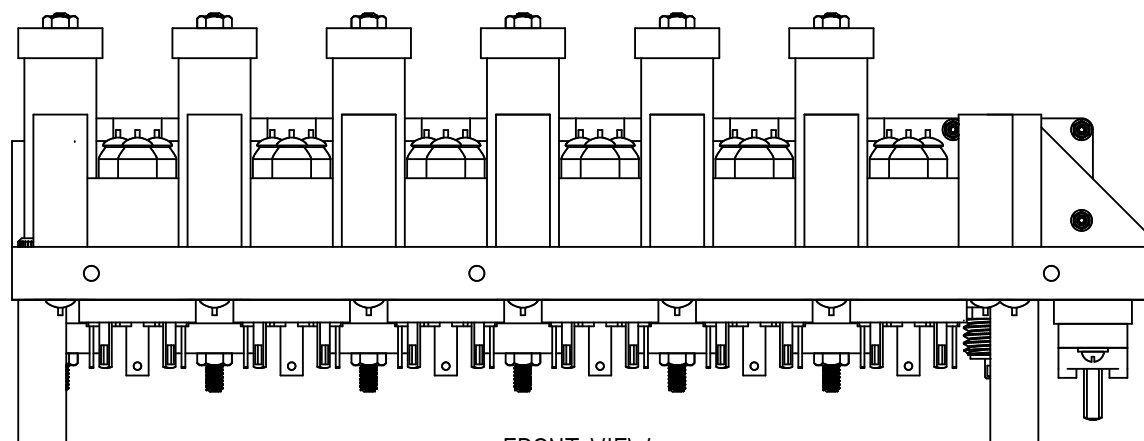
REAR VIEW



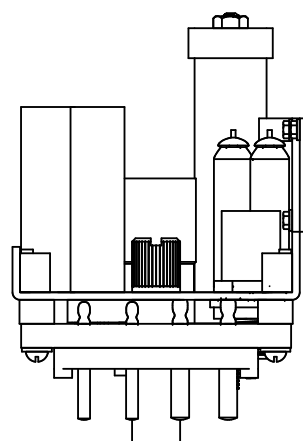
BOTTOM VIEW



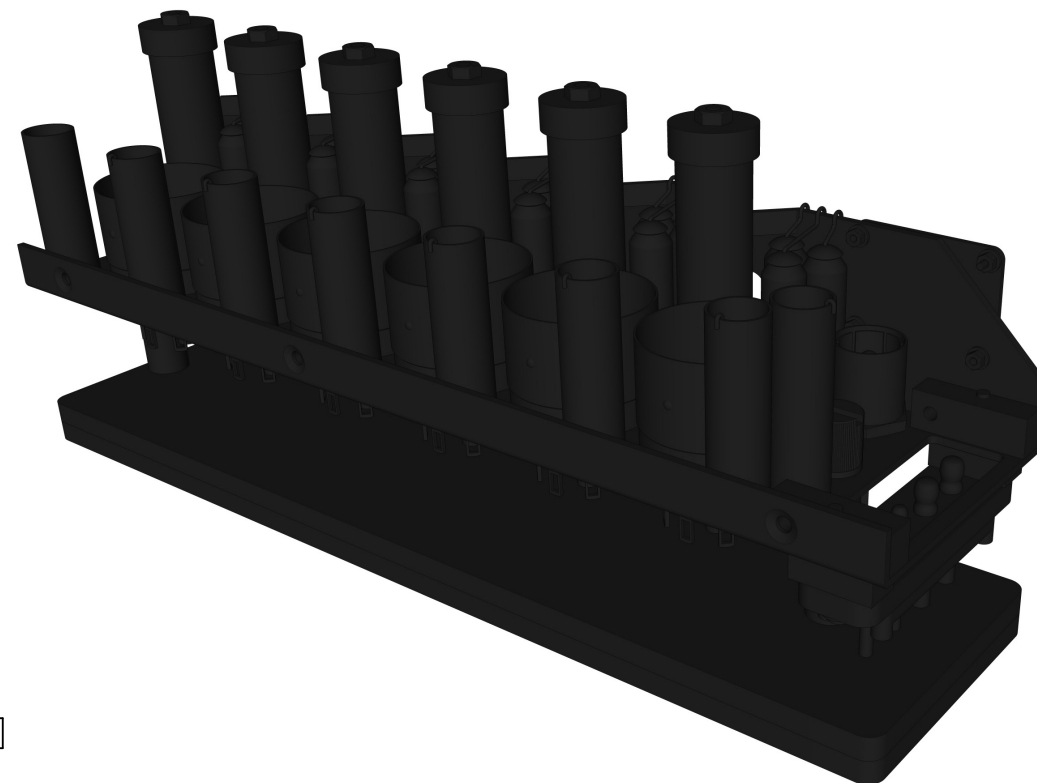
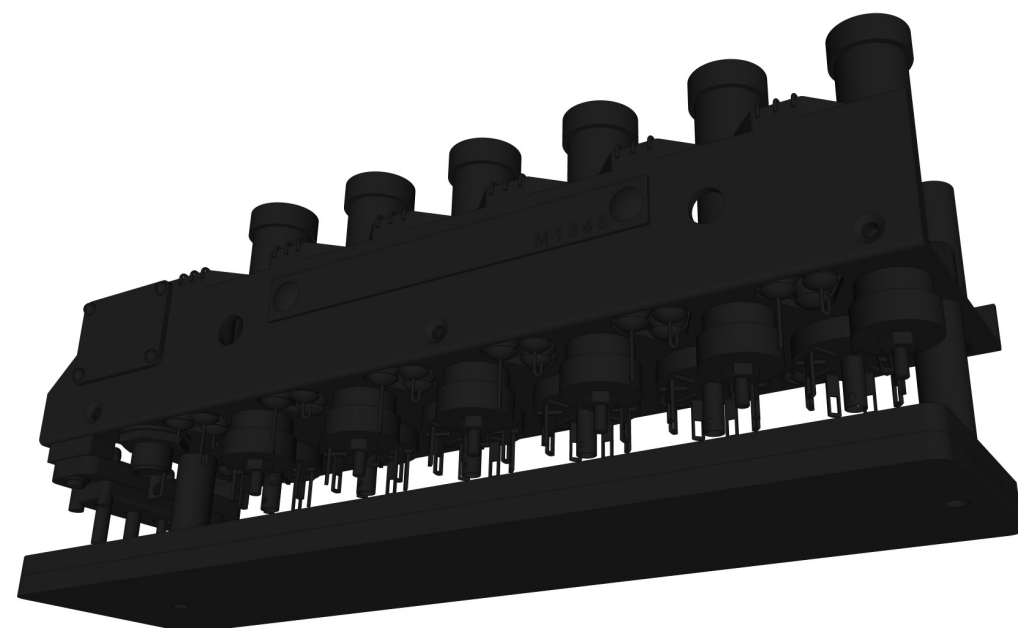
TOP VIEW



FRONT VIEW



SIDE\_VIEW



TinyP MSE-6

TITLE  
Full Scale MSE-6

SIZE A3	PART Top Rack	REV 2.0
------------	------------------	------------

FILE NAME: TinyP MSE-6 Top Rack.pdf

SCALE: 1:1	WEIGHT:	SHEET 1 OF 1
------------	---------	--------------

UNDER REVIEW

UNLESS OTHERWISE SPECIFIED  
DIMENSIONS ARE IN MILLIMETERS