

P1 - Panel 1  
 P2 - Panel 2  
 P3 - Panel 3  
 P4 - Panel 4  
 P5 - Panel 5 / Magic Panel  
 P6 - Panel 6  
 P7 - Panel 7 / Metal Panel

P8 - Panel 8 / Rear PSI  
 P9 - Panel 9 / Rear Logic Display  
 P10 - Panel 10  
 P11 - Panel 11  
 P12 - Panel 12 / Front Logic Display  
 P13 - Panel 13  
 P14 - Panel 14 / Front PSI

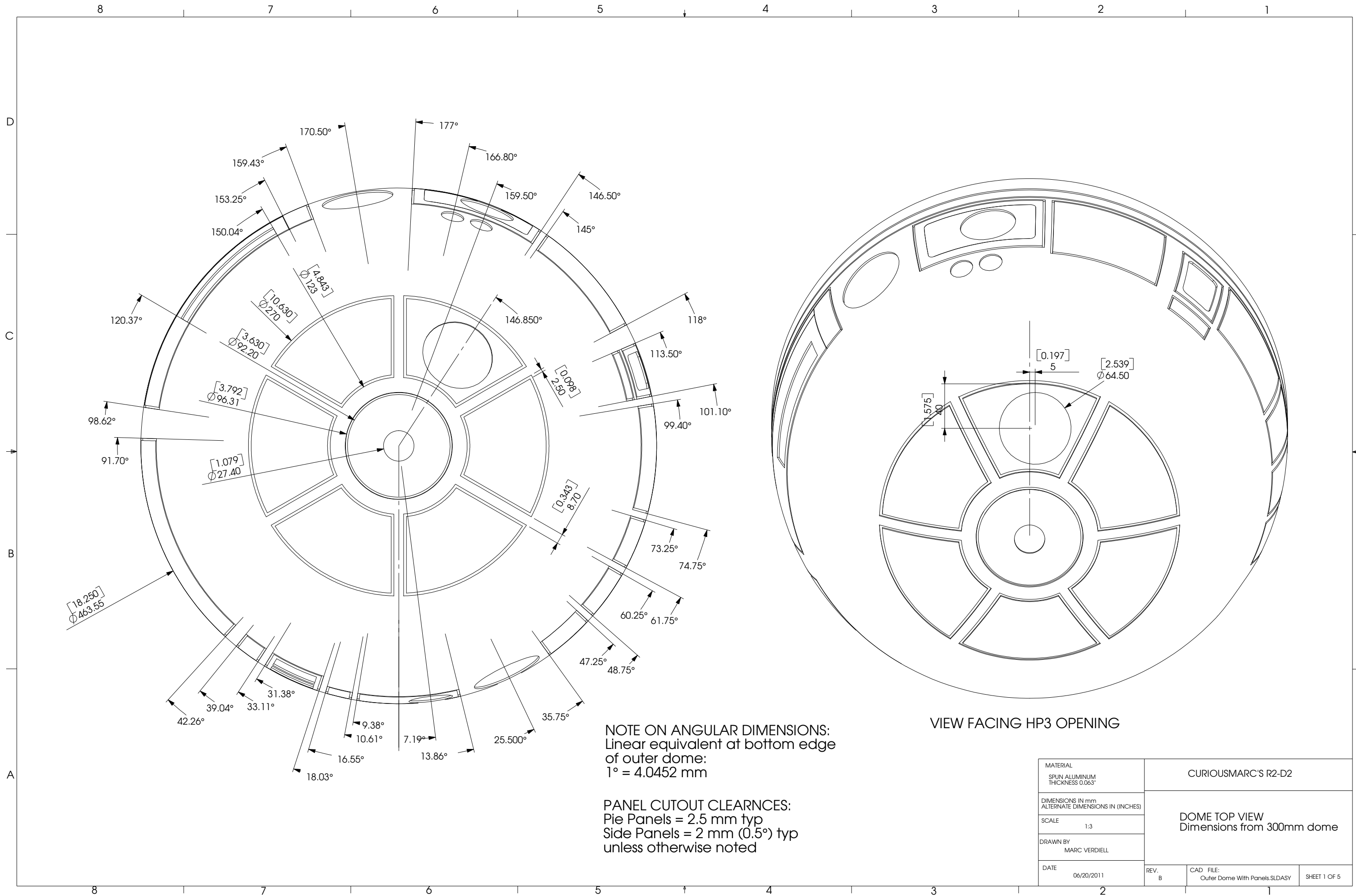
HP1 - Front Holoprojector  
 HP2 - Rear Holoprojector  
 HP3 - Top Holoprojector  
 DB1 - Dome Bump 1  
 DB2 - Dome Bump 2  
 PP1 - Pie Panel 1 / Saber Launcher  
 PP2 - Pie Panel 2 / Life Form Scanner  
 PP3 - Pie Panel 3 / Top Holoprojector  
 PP4 - Pie Panel 4 / Periscope  
 PP5 - Pie Panel 5  
 PP6 - Pie Panel 6

1 - Bottom Mounting Ring  
 2 - PTFE Inner Dome Mounting Ring  
 3 - Outer Dome  
 4 - Inner Dome  
 5- Dome Decorative Ring

Outer Dome Ellipse Profile:  
 R250.37mm by r231.77mm  
 R9.857" by r9.125"

Inner Dome Ellipse Profile:  
 R248.78mm by r230.19mm  
 R9.795" by r9.063"  
 on top of 0.853" cylindrical lip

MATERIAL SPUN ALUMINUM THICKNESS 0.063"	CURIOUSMARC'S R2-D2		
DIMENSIONS IN INCHES UNLESS OTHERWISE NOTED	DOME OVERALL LAYOUT AND DIMENSIONS Dimensions from 300mm dome		
SCALE 1:3			
DRAWN BY MARC VERDIELL	REV. B	CAD FILE: Outer Dome With Panels.SLDASY	SHEET 1 OF 1
DATE 06/20/2011			

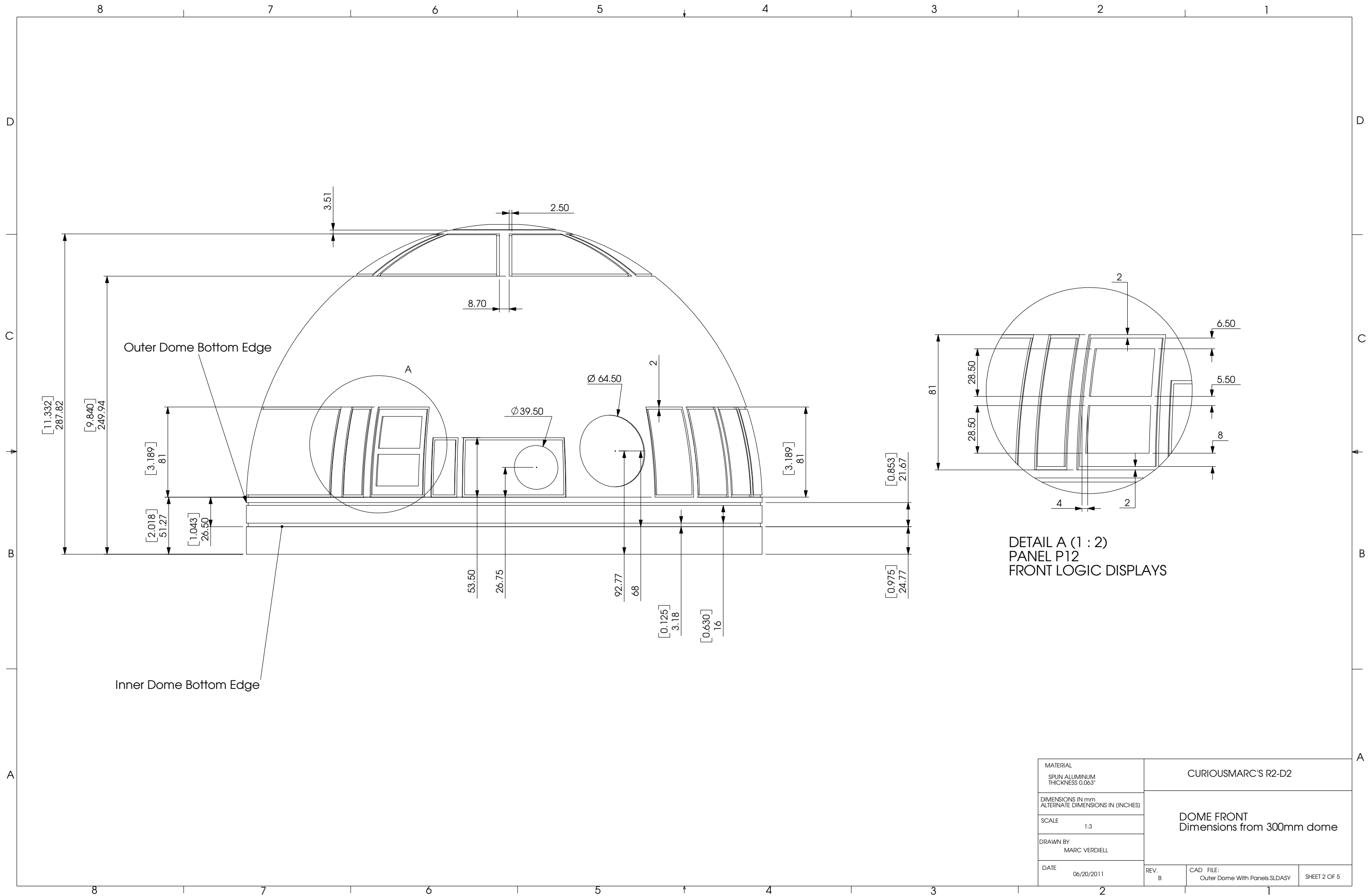


NOTE ON ANGULAR DIMENSIONS:  
 Linear equivalent at bottom edge  
 of outer dome:  
 1° = 4.0452 mm

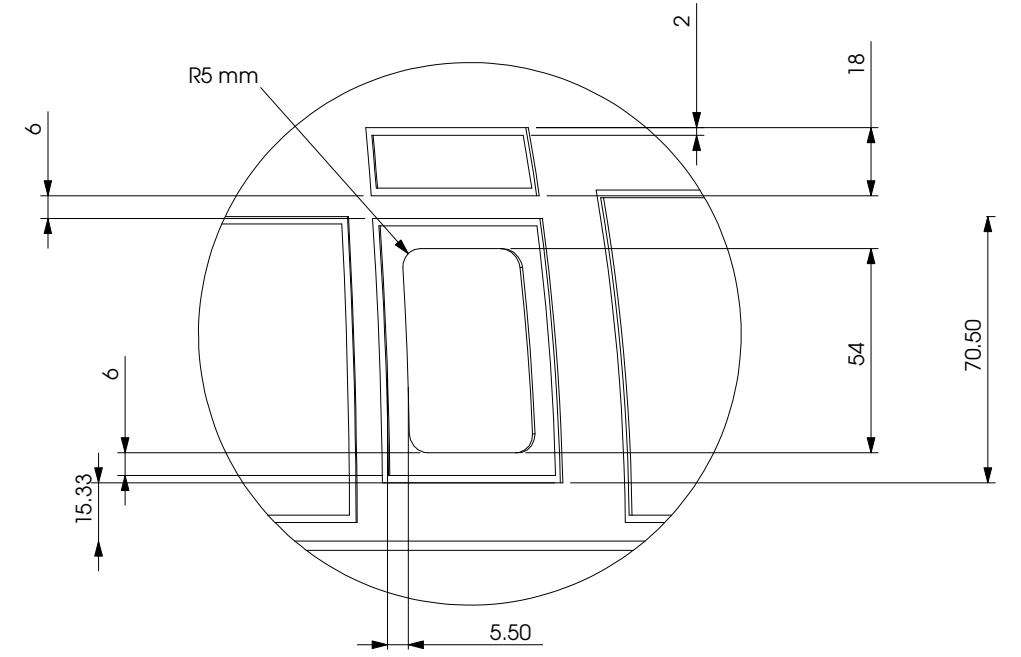
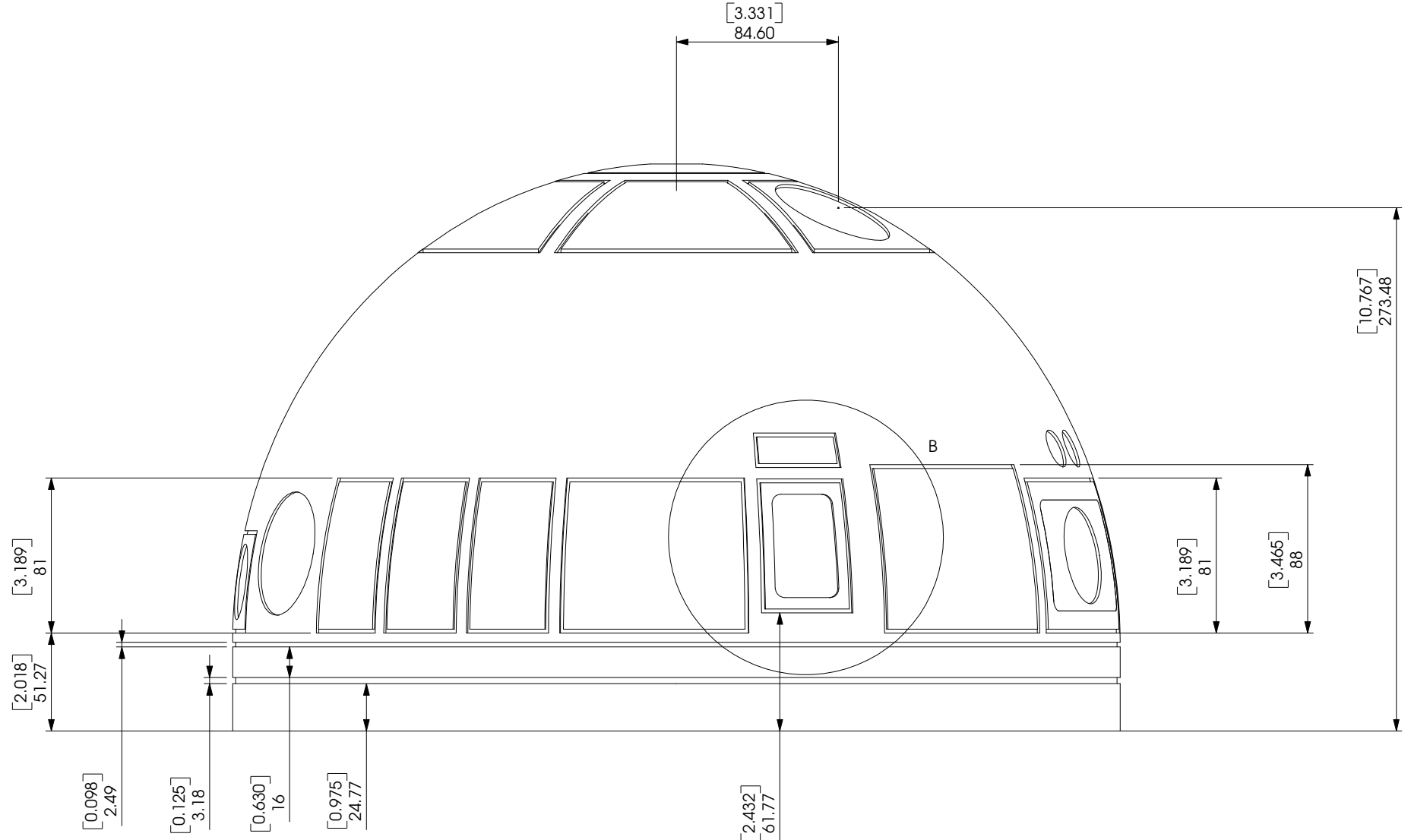
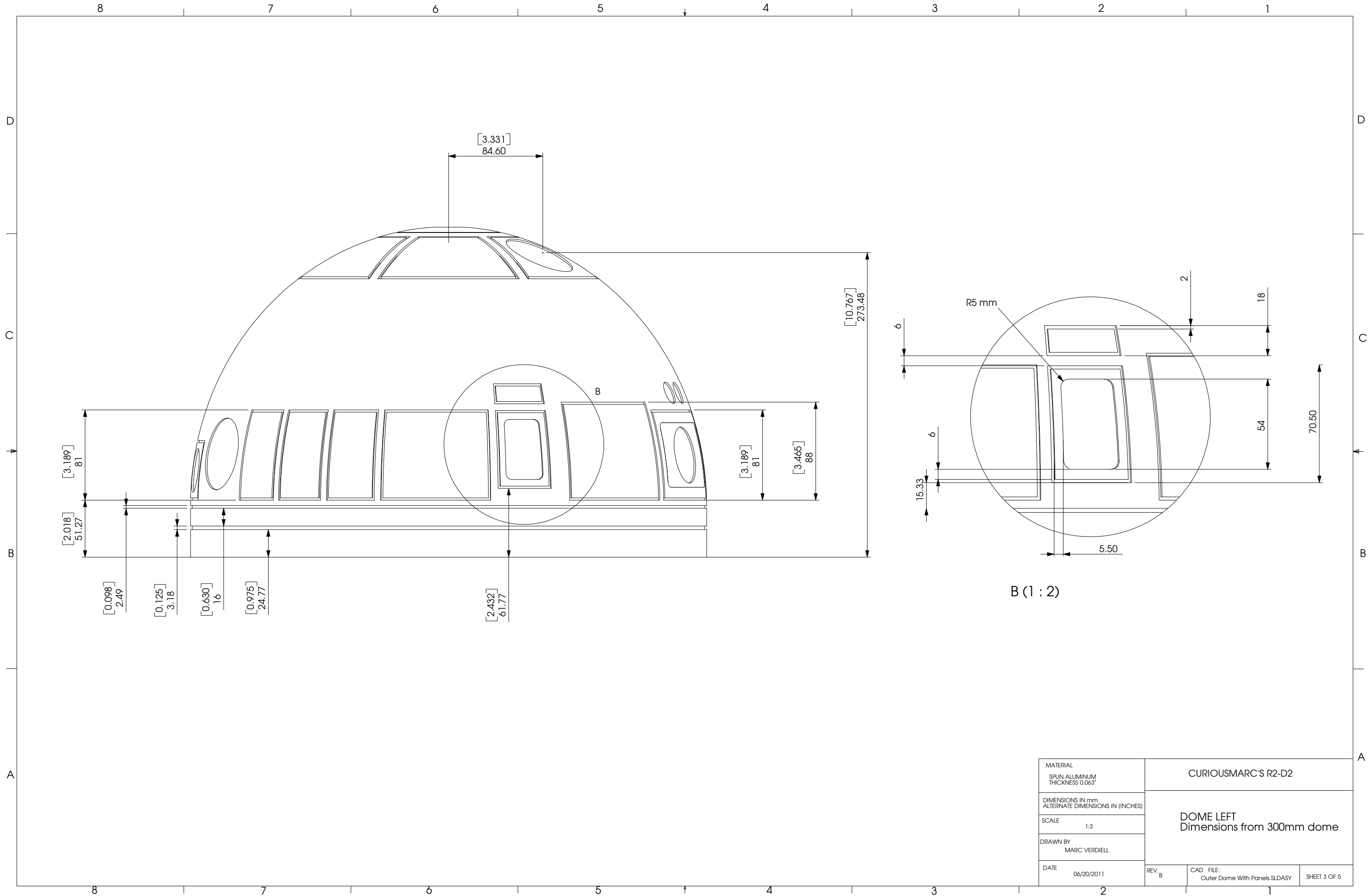
PANEL CUTOUT CLEARNCES:  
 Pie Panels = 2.5 mm typ  
 Side Panels = 2 mm (0.5°) typ  
 unless otherwise noted

VIEW FACING HP3 OPENING

MATERIAL SPUN ALUMINUM THICKNESS 0.063"	CURIOUSMARC'S R2-D2		
DIMENSIONS IN mm ALTERNATE DIMENSIONS IN (INCHES)	DOME TOP VIEW Dimensions from 300mm dome		
SCALE 1:3			
DRAWN BY MARC VERDIELL	REV. B	CAD FILE: Outer Dome With Panels.SLDASY	SHEET 1 OF 5
DATE 06/20/2011			

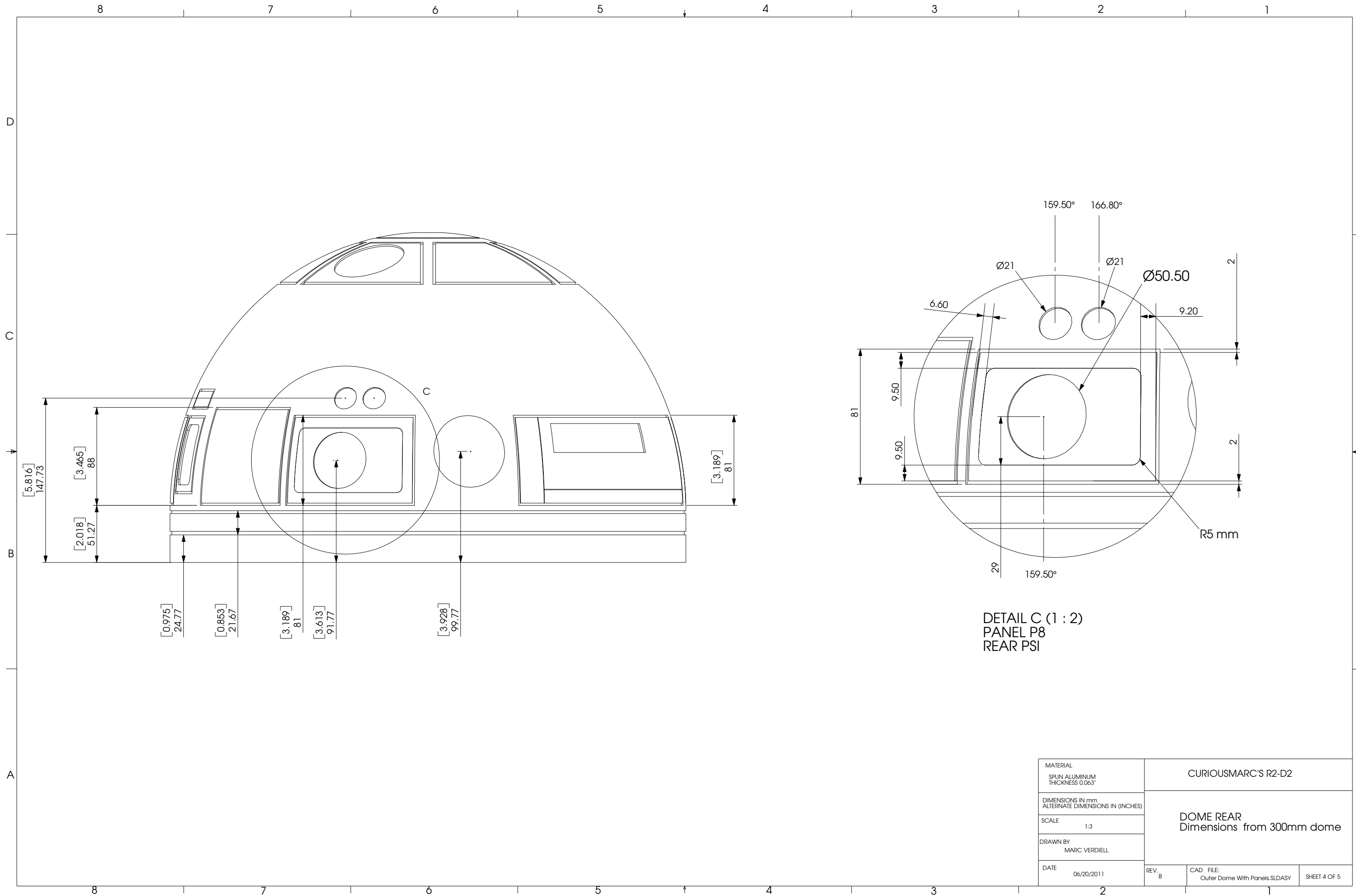


MATERIAL SPUN ALUMINUM THICKNESS 0.063"	CURIOUSMARC'S R2-D2		
DIMENSIONS IN mm ALTERNATE DIMENSIONS IN (INCHES)	<b>DOME FRONT</b> Dimensions from 300mm dome		
SCALE 1:3			
DRAWN BY MARC VERDIELL			
DATE 06/20/2011			
REV. B	CAD FILE: Outer Dome With Panels.SLDASY	SHEET 2 OF 5	

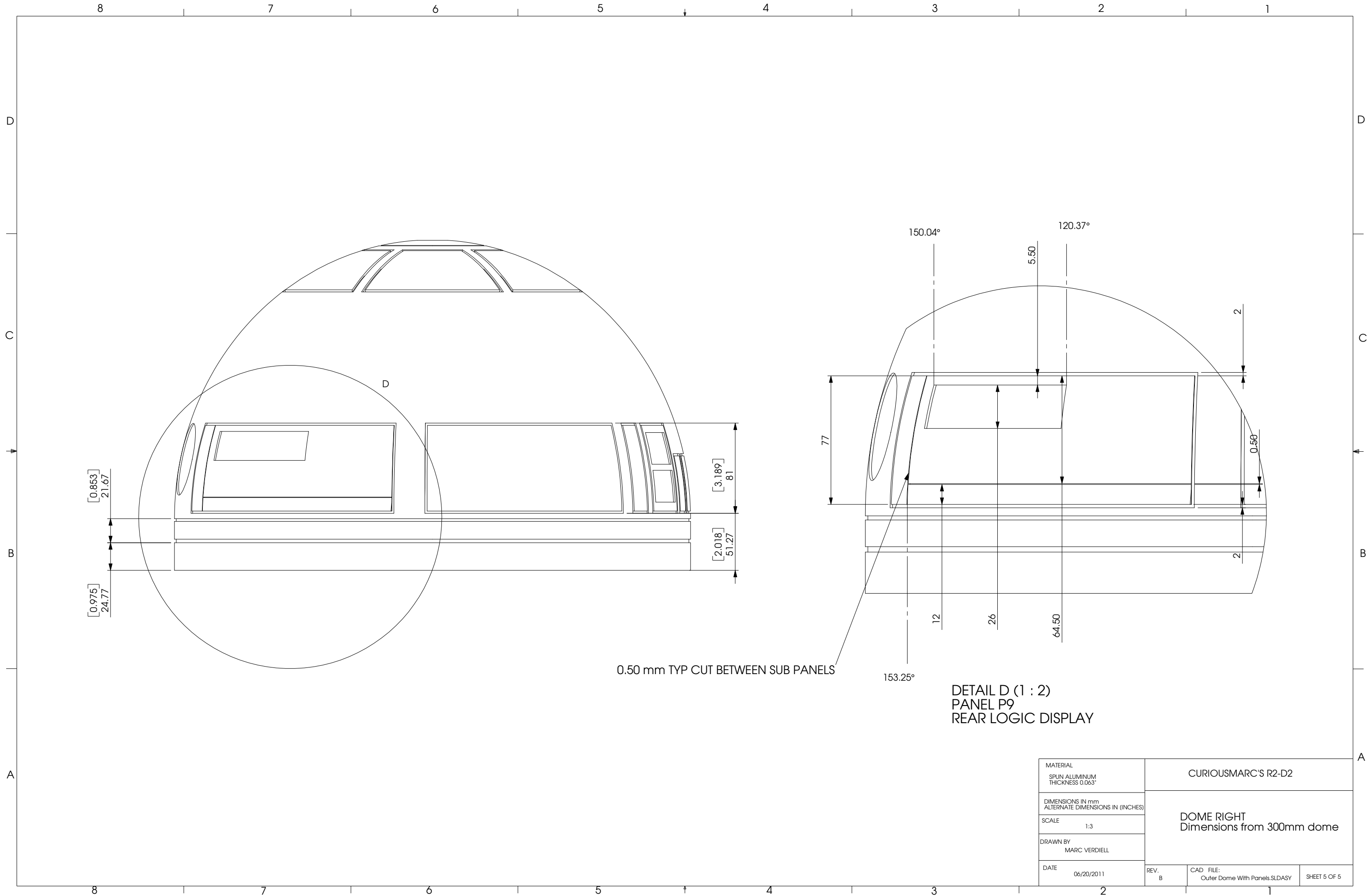


B (1 : 2)

MATERIAL SPUN ALUMINUM THICKNESS 0.063"	CURIOUSMARC'S R2-D2		
DIMENSIONS IN mm ALTERNATE DIMENSIONS IN (INCHES)	<b>DOME LEFT</b> Dimensions from 300mm dome		
SCALE 1:3			
DRAWN BY MARC VERDIELL			
DATE 06/20/2011			
REV. B	CAD FILE: Outer Dome With Panels.SLDASY	SHEET 3 OF 5	



MATERIAL SPUN ALUMINUM THICKNESS 0.063"	CURIOUSMARC'S R2-D2		
DIMENSIONS IN mm ALTERNATE DIMENSIONS IN (INCHES)	DOME REAR Dimensions from 300mm dome		
SCALE 1:3			
DRAWN BY MARC VERDIELL			
DATE 06/20/2011	REV. B	CAD FILE: Outer Dome With Panels.SLDASY	SHEET 4 OF 5



0.50 mm TYP CUT BETWEEN SUB PANELS

DETAIL D (1 : 2)  
 PANEL P9  
 REAR LOGIC DISPLAY

MATERIAL SPUN ALUMINUM THICKNESS 0.063"	CURIOUSMARC'S R2-D2		
DIMENSIONS IN mm ALTERNATE DIMENSIONS IN (INCHES)	DOME RIGHT Dimensions from 300mm dome		
SCALE 1:3			
DRAWN BY MARC VERDIELL	REV. B	CAD FILE: Outer Dome With Panels.SLDASY	SHEET 5 OF 5
DATE 06/20/2011			