

- P1 - Panel 1
- P2 - Panel 2
- P3 - Panel 3
- P4 - Panel 4
- P5 - Panel 5 / Magic Panel
- P6 - Panel 6
- P7 - Panel 7 / Metal Panel
- P8 - Panel 8 / Rear PSI
- P9 - Panel 9 / Rear Logic Display
- P10 - Panel 10
- P11 - Panel 11
- P12 - Panel 12 / Front Logic Display
- P13 - Panel 13
- P14 - Panel 14 / Front PSI

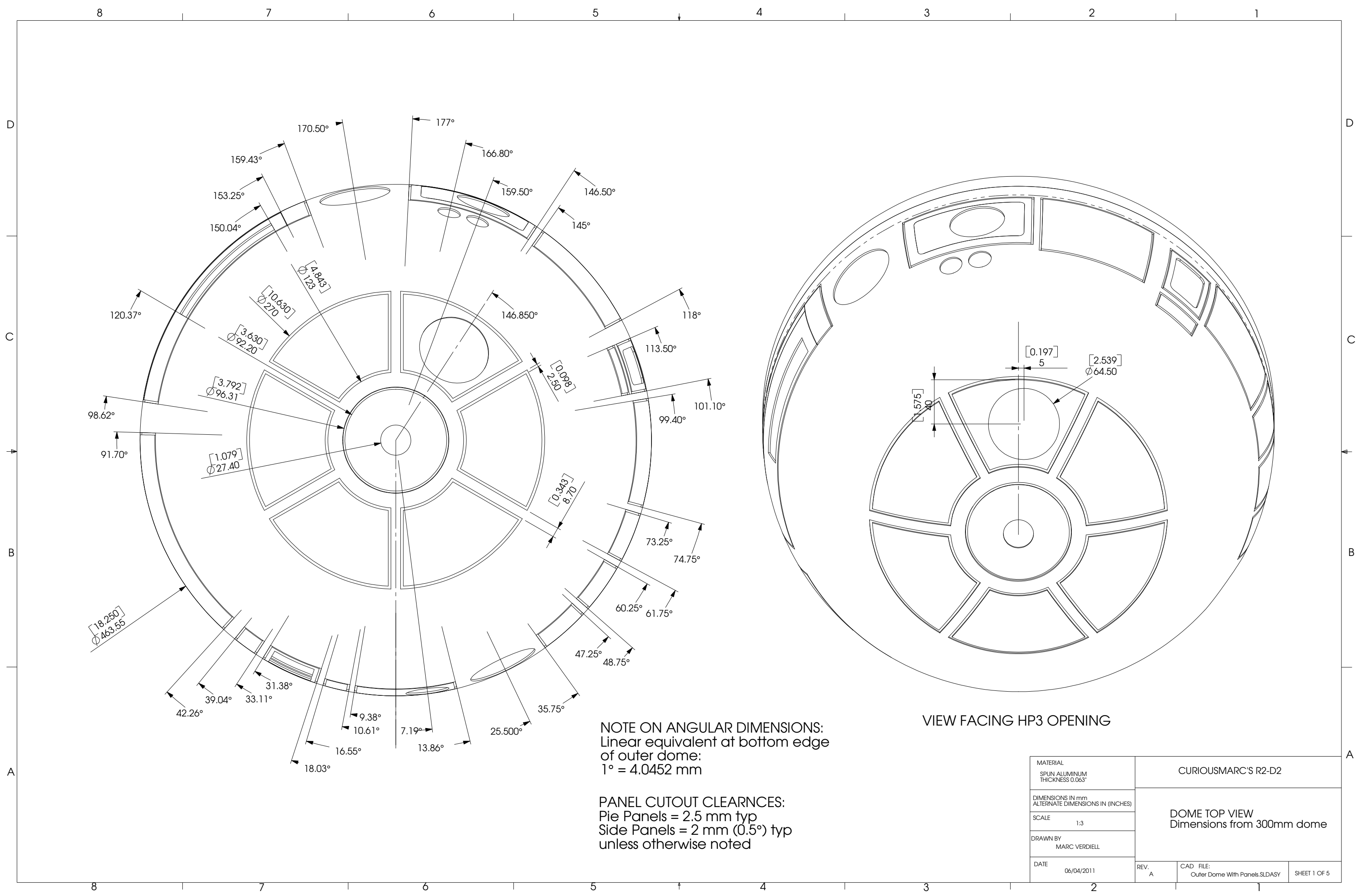
- HP1 - Front Holoprojector
- HP2 - Rear Holoprojector
- HP3 - Top Holoprojector
- DB1 - Dome Bump 1
- DB2 - Dome Bump 2
- PP1 - Pie Panel 1 / Saber Launcher
- PP2 - Pie Panel 2 / Life Form Scanner
- PP3 - Pie Panel 3 / Top Holoprojector
- PP4 - Pie Panel 4 / Periscope
- PP5 - Pie Panel 5
- PP6 - Pie Panel 6

- 1 - Bottom Ring
- 2 - PTFE Inner Dome Mounting Ring
- 3 - Inner Dome
- 4 - Outer Dome

Outer Dome Ellipse Profile:
 R250.37mm by r231.77mm
 R9.857" by r9.125"

Inner Dome Ellipse Profile:
 R248.78mm by r230.19mm
 R9.795" by r9.063"
 on top of 0.853" cylindrical lip

MATERIAL SPUN ALUMINUM THICKNESS 0.063"	CURIOUSMARC'S R2-D2		
DIMENSIONS IN INCHES UNLESS OTHERWISE NOTED	DOME OVERALL LAYOUT AND DIMENSIONS Dimensions from 300mm dome		
SCALE 1:3			
DRAWN BY MARC VERDIELL			
DATE 06/04/2011	REV. A	CAD FILE: Outer Dome With Panels.SLDASY	SHEET 1 OF 1

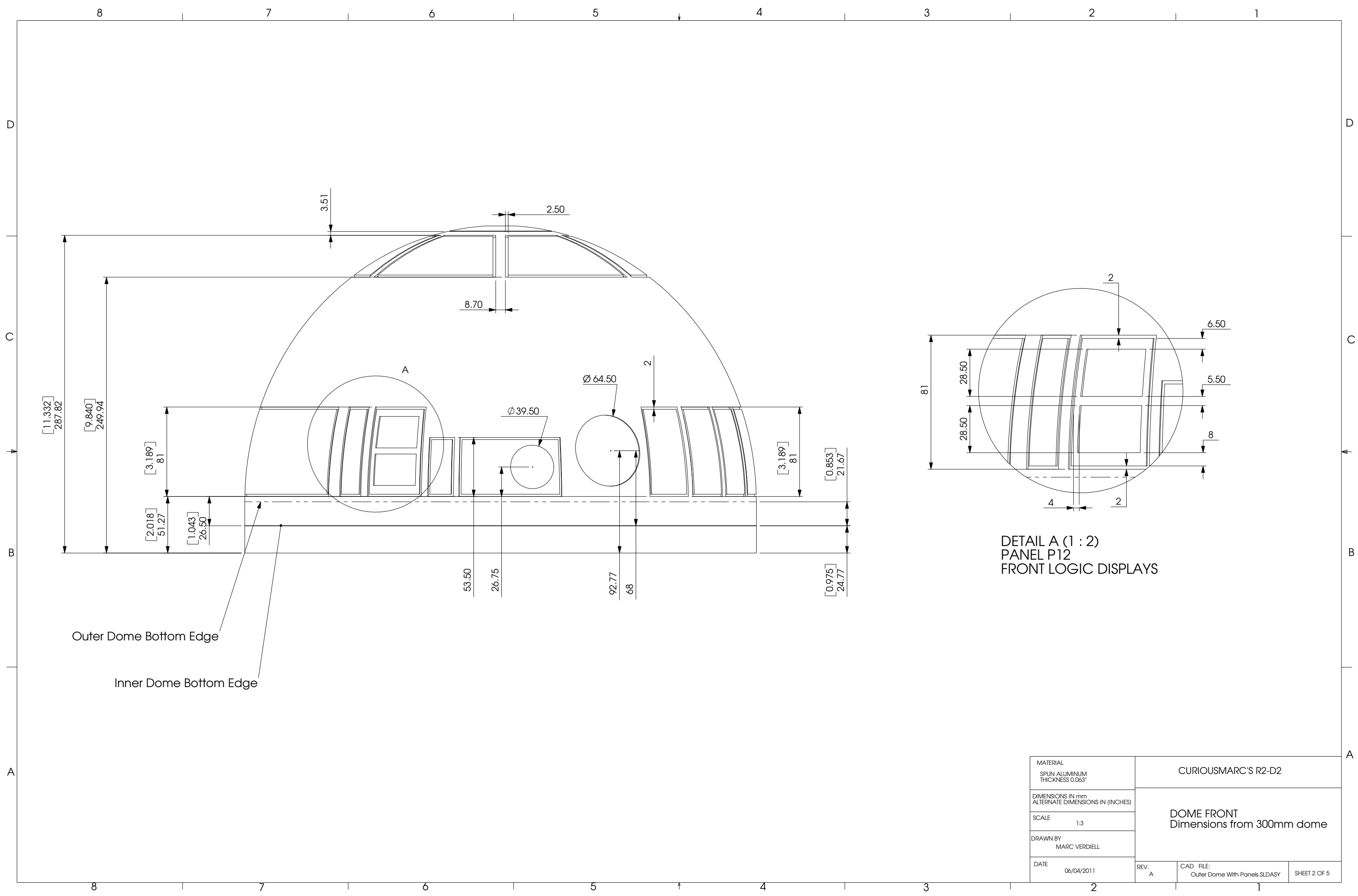


NOTE ON ANGULAR DIMENSIONS:
 Linear equivalent at bottom edge
 of outer dome:
 1° = 4.0452 mm

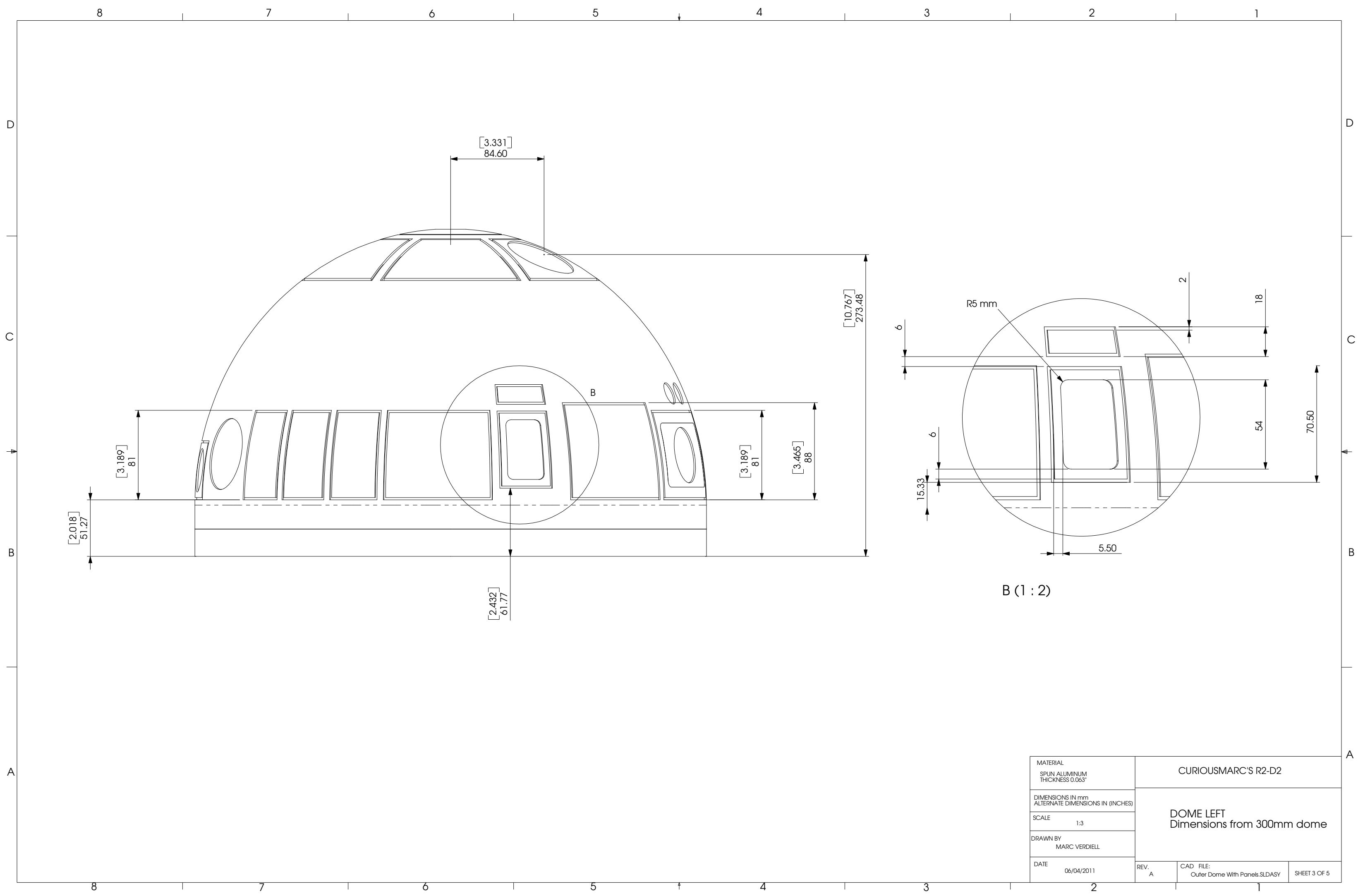
PANEL CUTOUT CLEARNCES:
 Pie Panels = 2.5 mm typ
 Side Panels = 2 mm (0.5°) typ
 unless otherwise noted

VIEW FACING HP3 OPENING

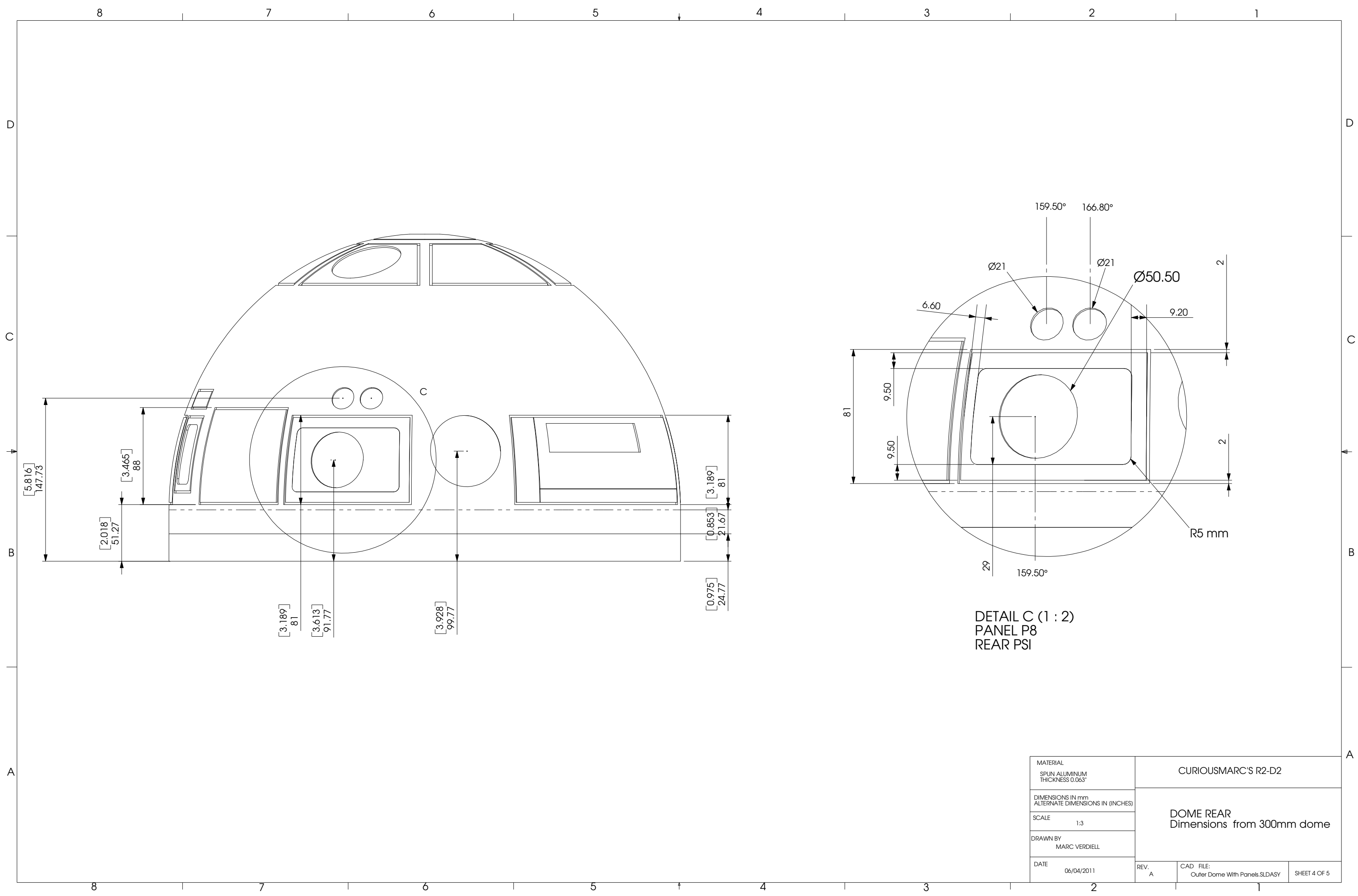
MATERIAL SPUN ALUMINUM THICKNESS 0.063"	CURIOUSMARC'S R2-D2		
DIMENSIONS IN mm ALTERNATE DIMENSIONS IN (INCHES)	DOME TOP VIEW Dimensions from 300mm dome		
SCALE 1:3			
DRAWN BY MARC VERDIELL	REV. A	CAD FILE: Outer Dome With Panels.SLDASY	SHEET 1 OF 5
DATE 06/04/2011			



MATERIAL SPUN ALUMINUM THICKNESS 0.063"	CURIOUSMARC'S R2-D2		
DIMENSIONS IN mm ALTERNATE DIMENSIONS IN (INCHES)	DOME FRONT Dimensions from 300mm dome		
SCALE 1:3			
DRAWN BY MARC VERDIELL			
DATE 06/04/2011	REV. A	CAD FILE: Outer Dome With Panels.SLDASY	SHEET 2 OF 5

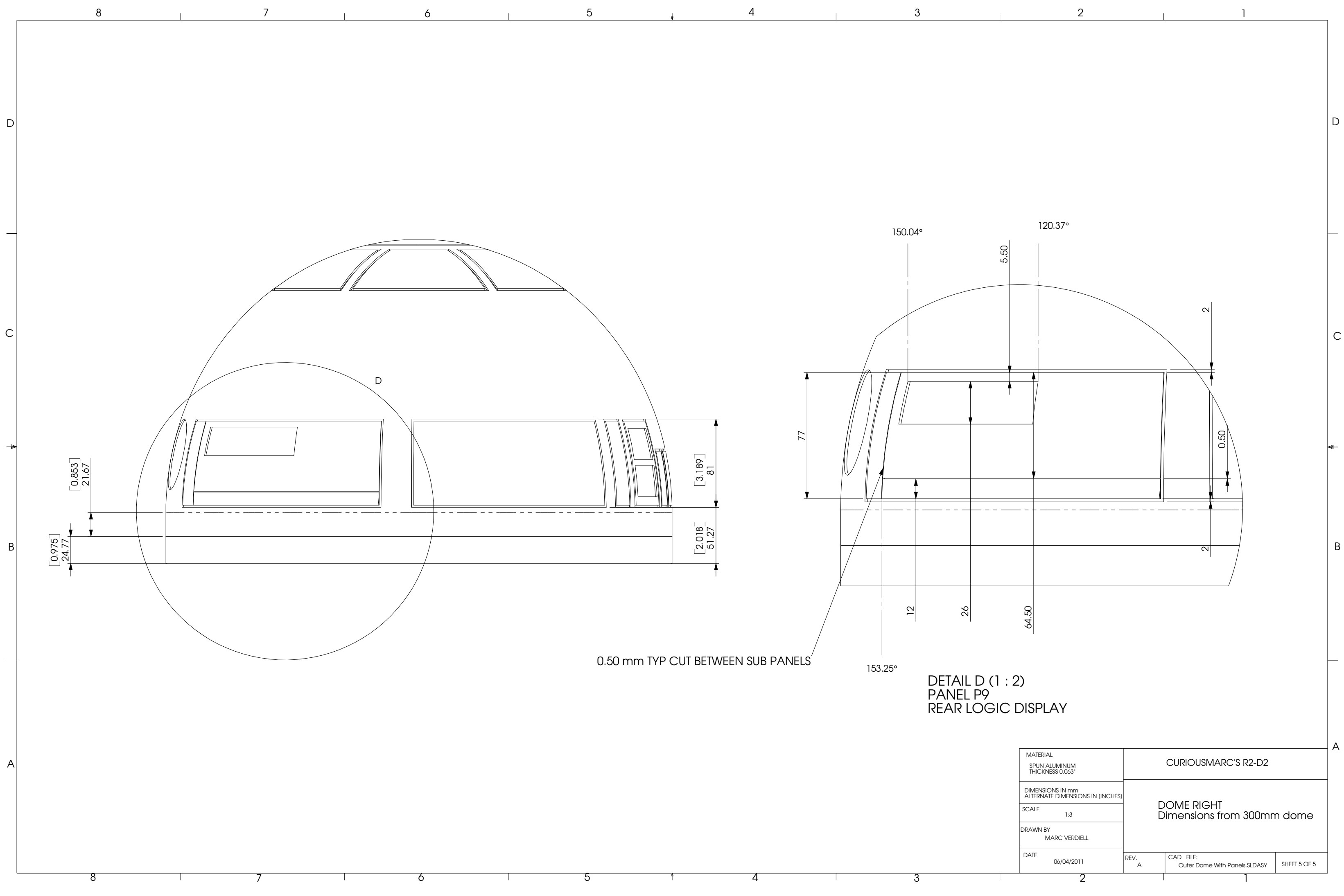


MATERIAL SPUN ALUMINUM THICKNESS 0.063"	CURIOUSMARC'S R2-D2		
DIMENSIONS IN mm ALTERNATE DIMENSIONS IN (INCHES)	DOME LEFT Dimensions from 300mm dome		
SCALE 1:3			
DRAWN BY MARC VERDIELL	REV. A	CAD FILE: Outer Dome With Panels.SLDASY	SHEET 3 OF 5
DATE 06/04/2011			



DETAIL C (1 : 2)
 PANEL P8
 REAR PSI

MATERIAL SPUN ALUMINUM THICKNESS 0.063"	CURIOUSMARC'S R2-D2		
DIMENSIONS IN mm ALTERNATE DIMENSIONS IN (INCHES)	DOME REAR Dimensions from 300mm dome		
SCALE 1:3			
DRAWN BY MARC VERDIELL			
DATE 06/04/2011	REV. A	CAD FILE: Outer Dome With Panels.SLDASY	SHEET 4 OF 5



[0.975]
 24.77
 [0.853]
 21.67
 [3.189]
 81
 [2.018]
 51.27

150.04°
 120.37°
 5.50
 2
 0.50
 77
 12
 26
 64.50
 2
 153.25°

0.50 mm TYP CUT BETWEEN SUB PANELS

DETAIL D (1 : 2)
 PANEL P9
 REAR LOGIC DISPLAY

MATERIAL SPUN ALUMINUM THICKNESS 0.063"	CURIOUSMARC'S R2-D2		
DIMENSIONS IN mm ALTERNATE DIMENSIONS IN (INCHES)	DOME RIGHT Dimensions from 300mm dome		
SCALE 1:3			
DRAWN BY MARC VERDIELL	REV. A	CAD FILE: Outer Dome With Panels.SLDASY	SHEET 5 OF 5
DATE 06/04/2011			