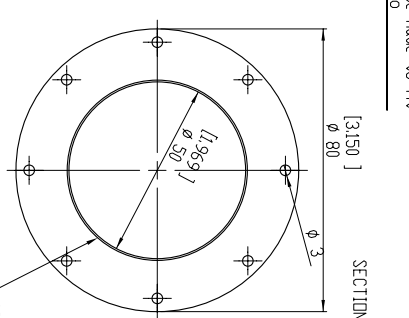
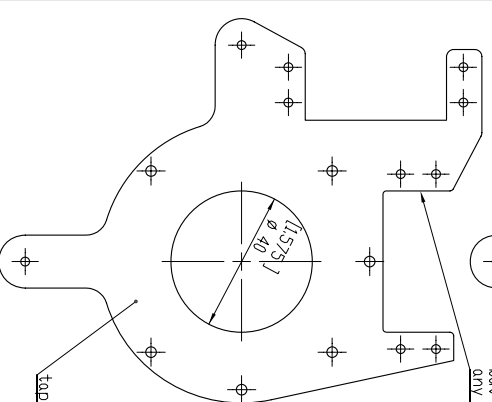
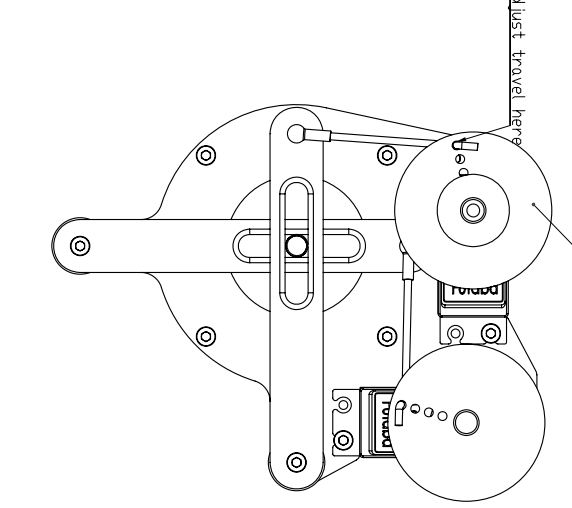
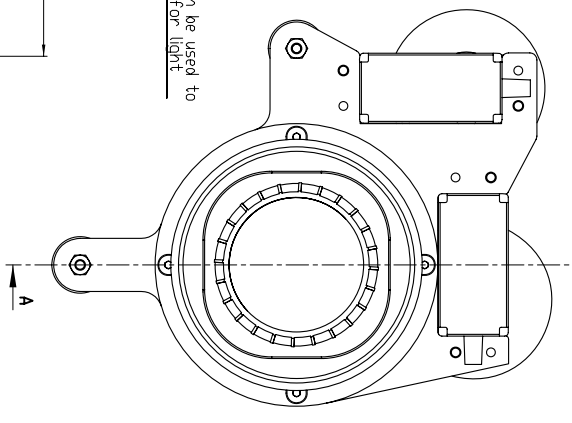
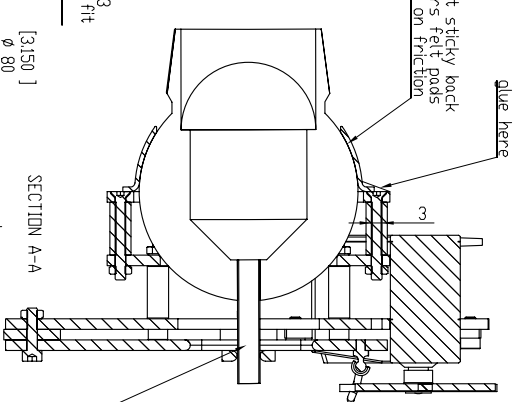
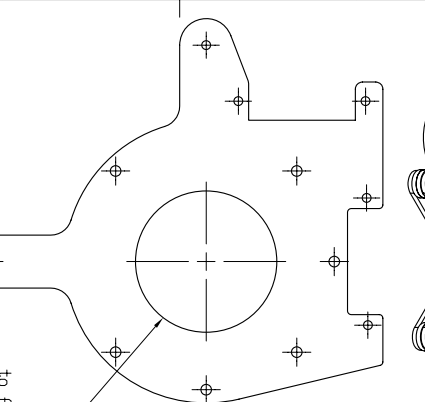
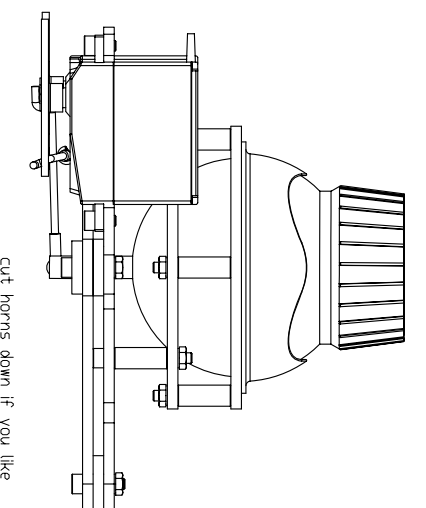
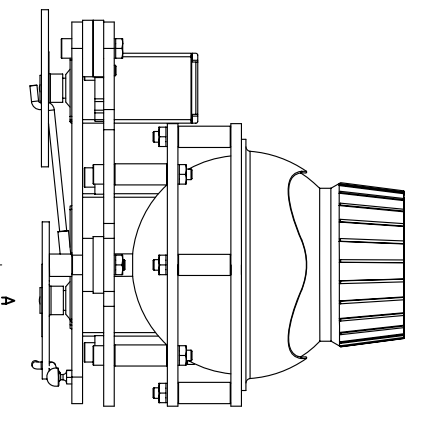
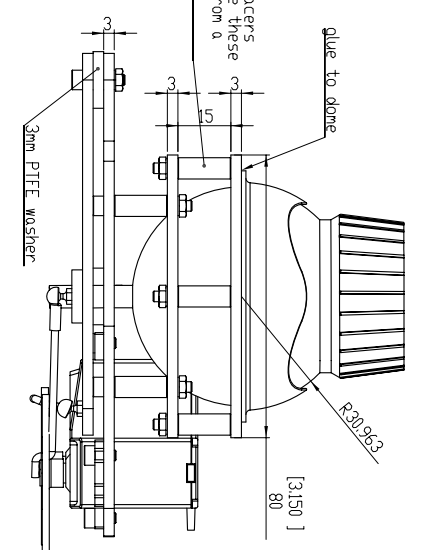
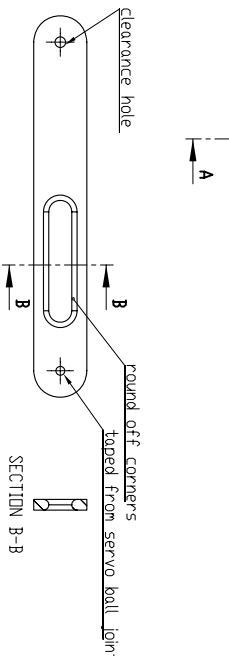
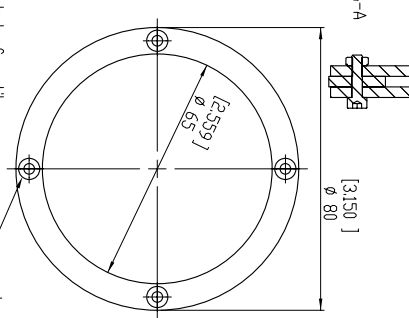


threaded spacers  
you can make these  
or get the from a  
model shop



rounded of until  
ball is free to move



PARTS LIST		FINISH		SERIAL AND CHECK SHEET		3D CAD SCALE DRAWING		REVISION	
QTY	DESCRIPTION	NAME	DATE	NO.	DATE	NO.	DATE	NO.	DATE
1	servo eye mech								
1	servo								
1	horn								
1	spacer								
1	washer								
1	felt pad								
1	brass K&S								
1	tape								

MATERIAL: aluminium or nylon

SCALE: 1:1

DWG NO: R2D2 eye mech

SHEET 1 OF 1