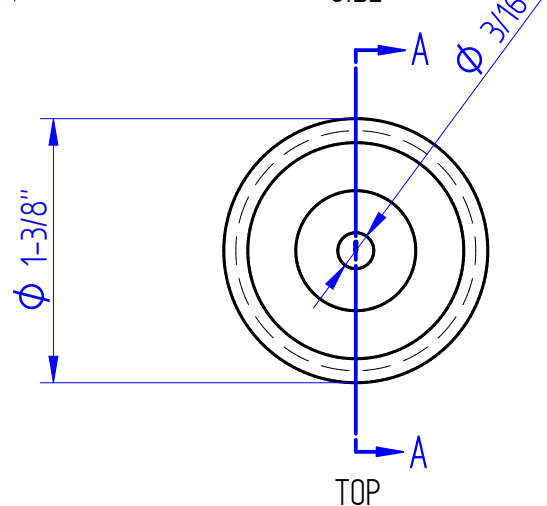
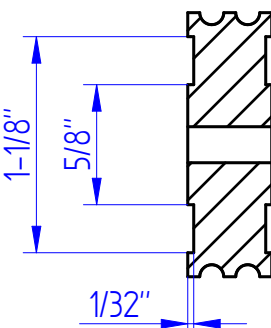


SIDE



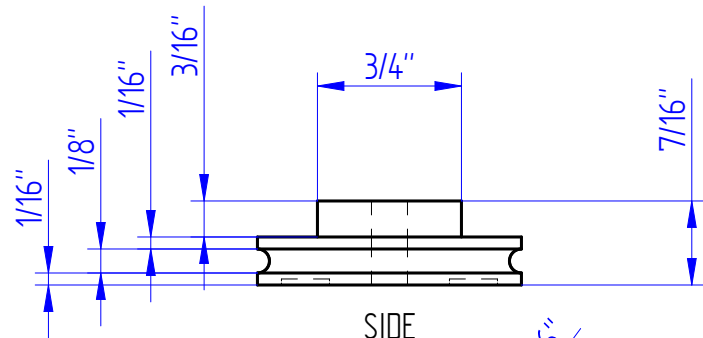
TOP



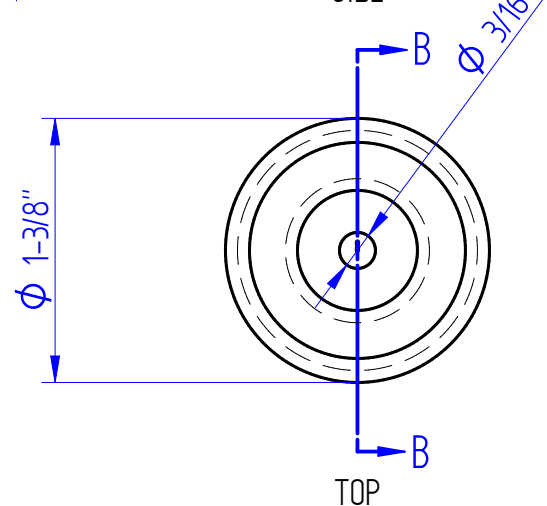
SECTION "A-A"

PULLEY 1

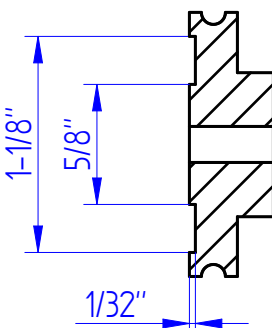
Quantity: 1 pc



SIDE



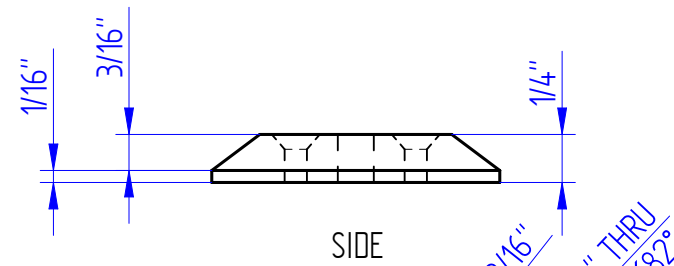
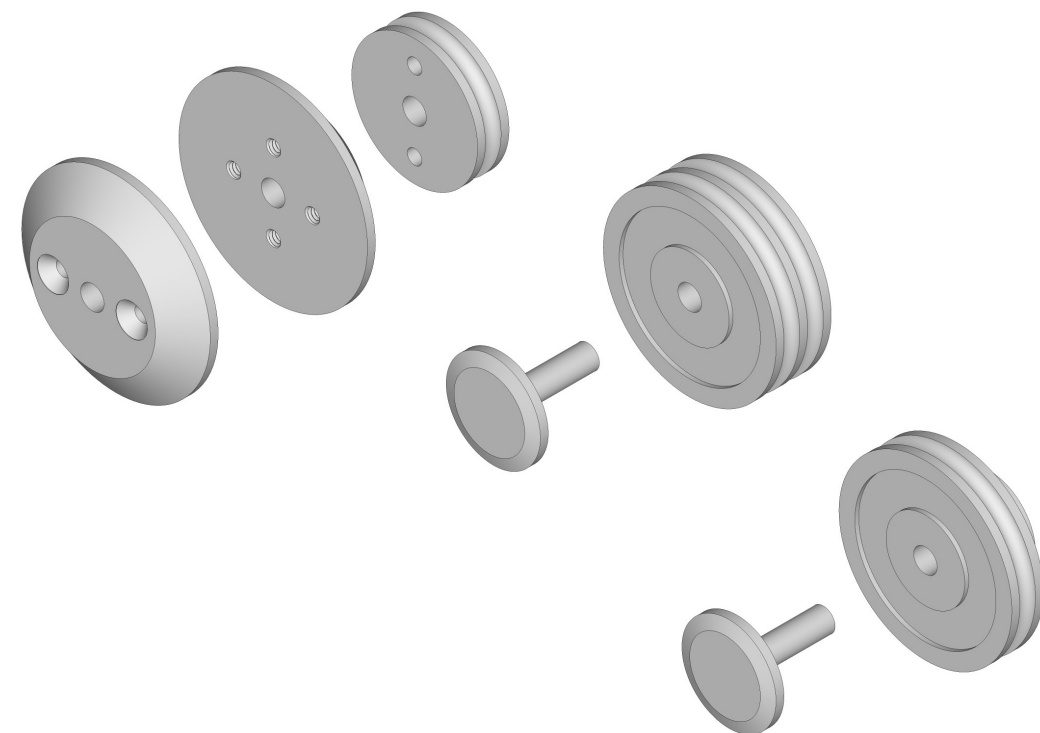
TOP



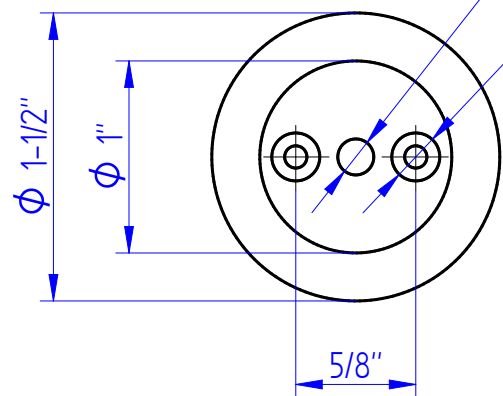
SECTION "B-B"

PULLEY 2

Quantity: 1 pc



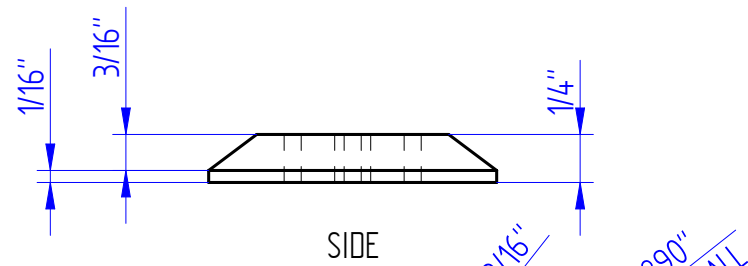
SIDE



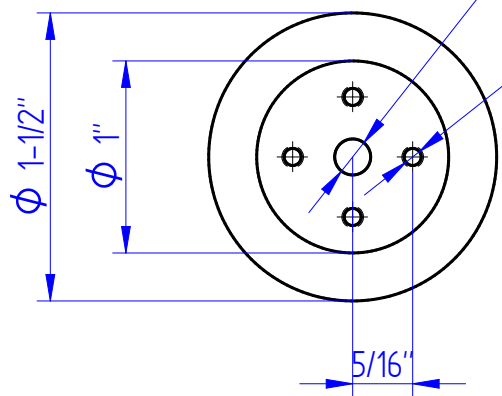
TOP

HUB 1

Quantity: 1 pc



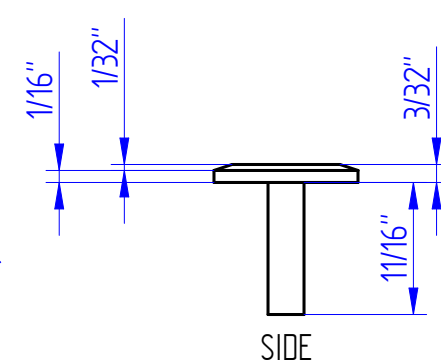
SIDE



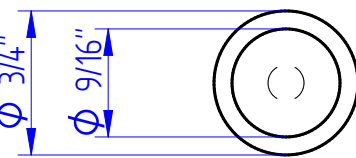
TOP

HUB 2

Quantity: 1 pc



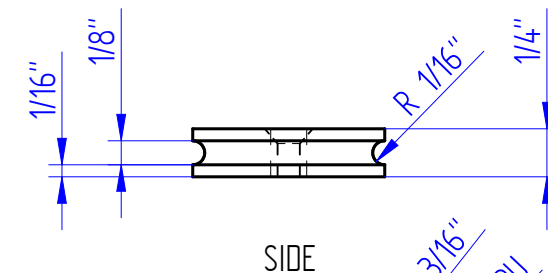
SIDE



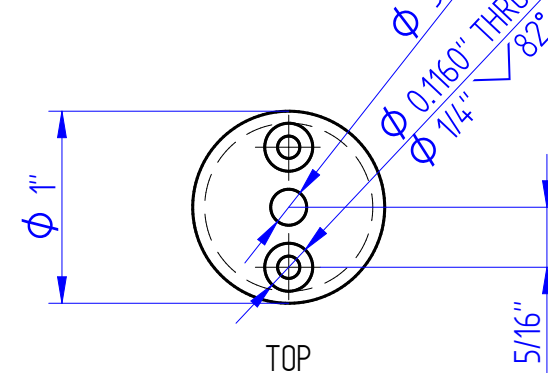
TOP

CAP

Quantity: 2 pcs



SIDE



TOP

PULLEY 3

Quantity: 1 pc

UNDER REVIEW

			TinyP	
			Droid Saw	
SIZE	PART	REV		
A3	Droid Saw Pulley			1.0
FILE NAME: Droid_Saw_Pulley.pdf				
SCALE: 1:1		WEIGHT:		SHEET 1 OF 1

UNLESS OTHERWISE SPECIFIED
DIMENSIONS ARE IN INCHES