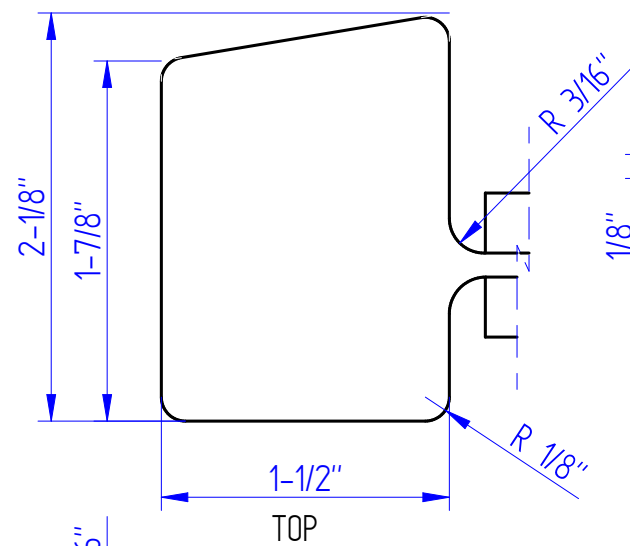
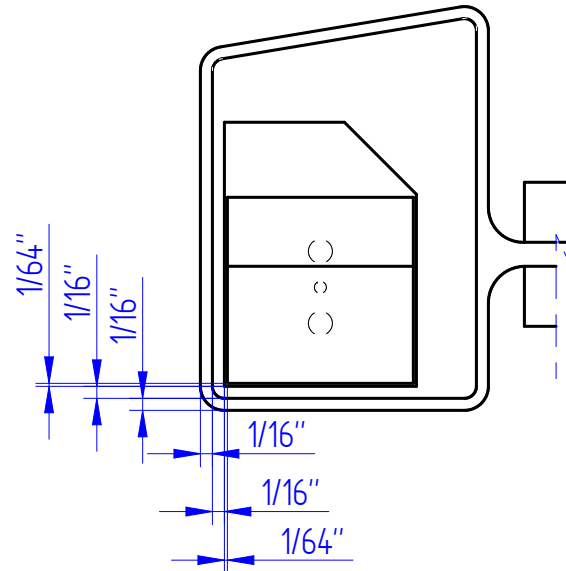
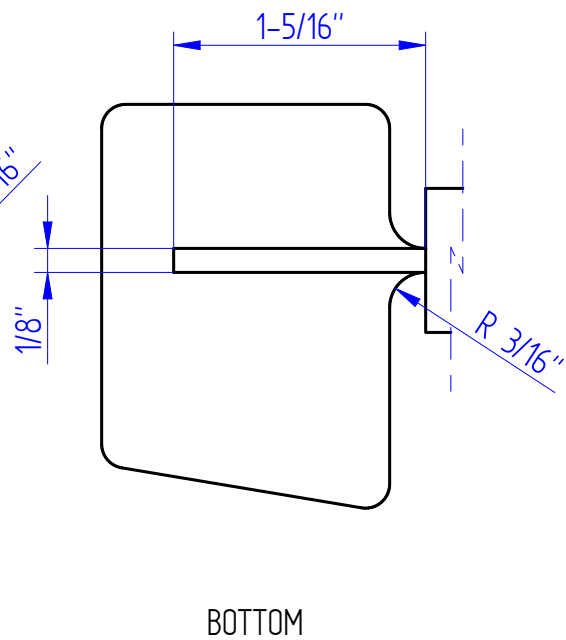


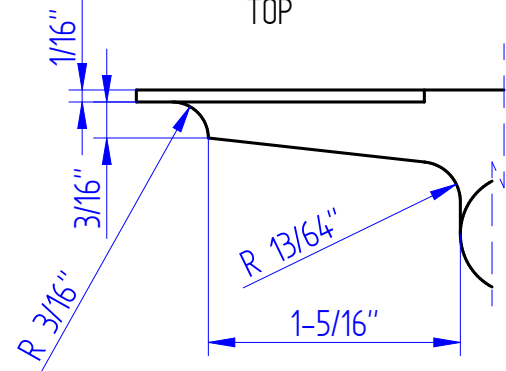
PCB



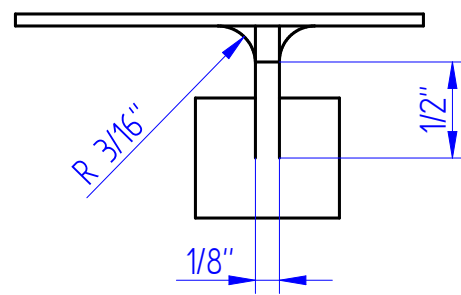
TOP



BOTTOM

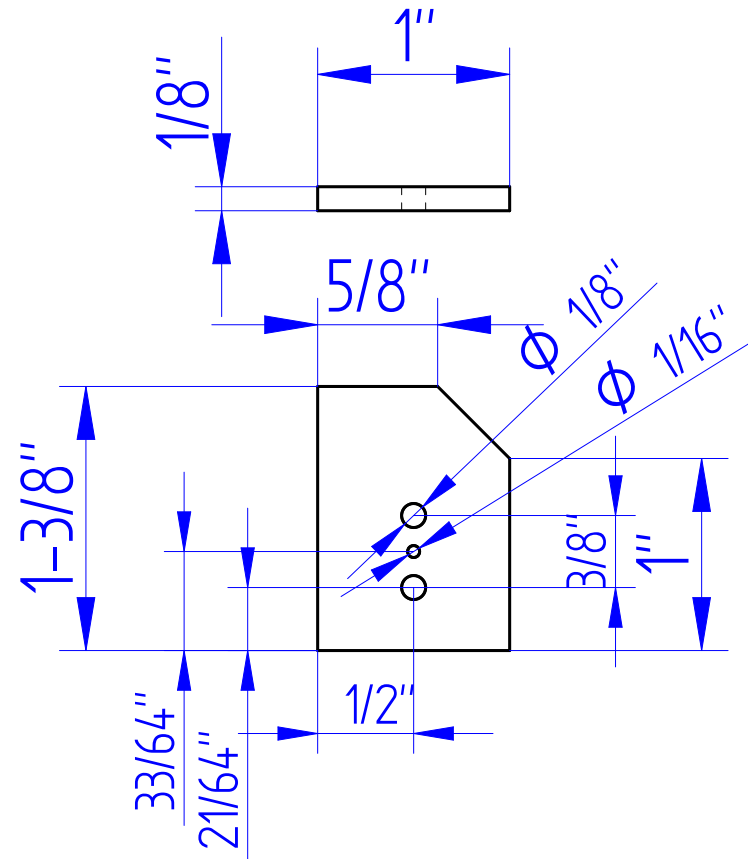


FRONT

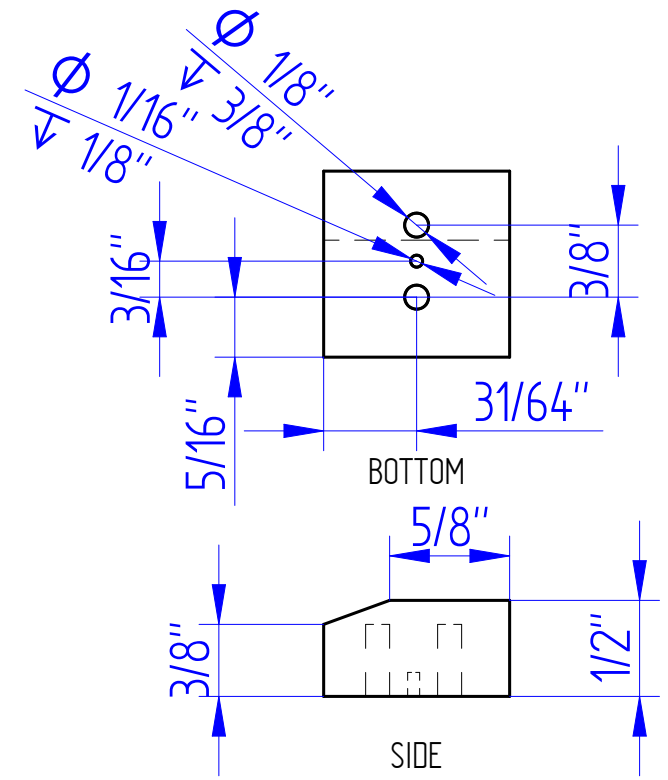


SIDE

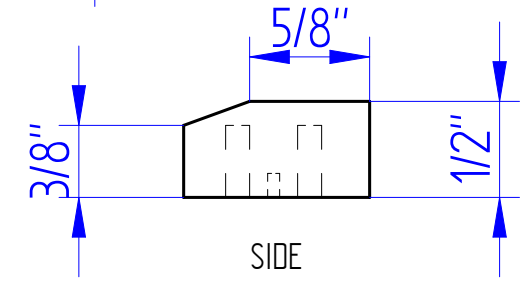
HEAD DETAIL



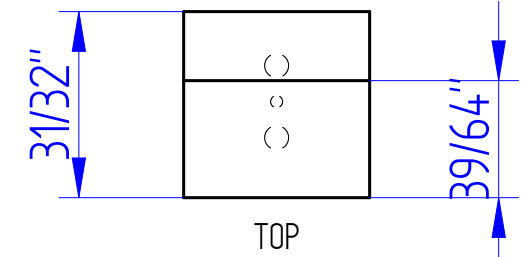
DIFFUSER BASE



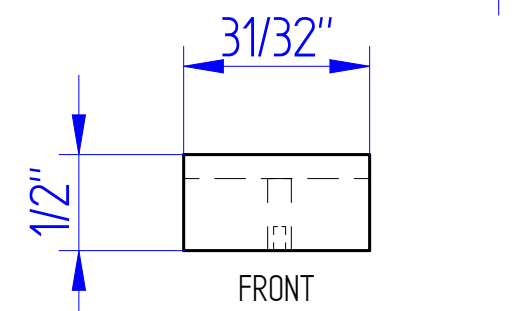
BOTTOM



SIDE

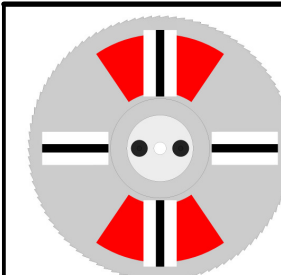


TOP



FRONT

DIFFUSER HEAD



TinyP

TITLE
Droid Saw

SIZE A3	PART Droid Saw - Head Details	REV 1.0
------------	----------------------------------	------------

UNDER REVIEW

UNLESS OTHERWISE SPECIFIED
DIMENSIONS ARE IN INCHES

FILE NAME: Droid_Saw_Rear_Details.pdf	SCALE: 1:1	WEIGHT:	SHEET 1 OF 1
---------------------------------------	------------	---------	--------------