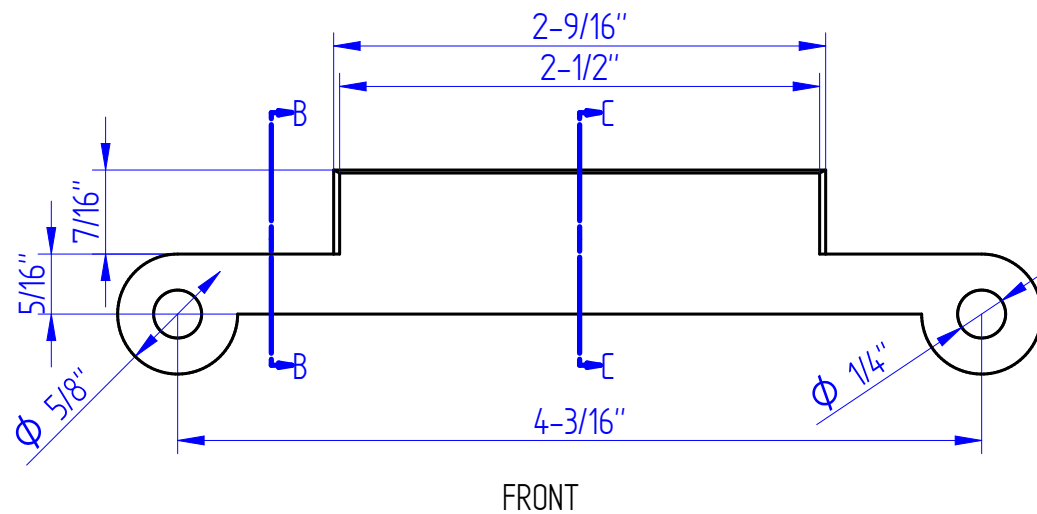
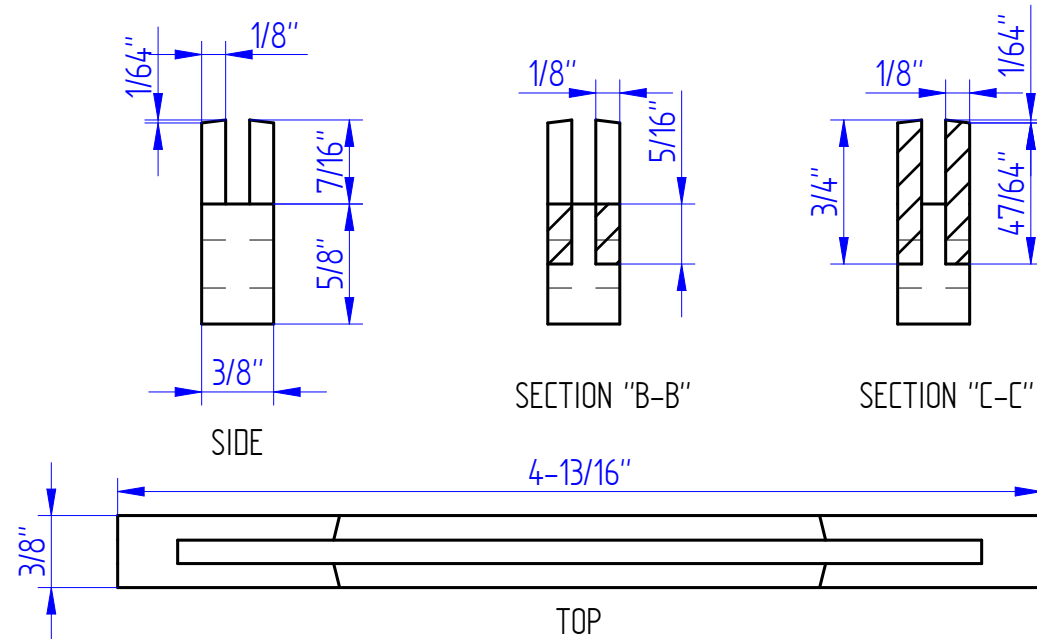
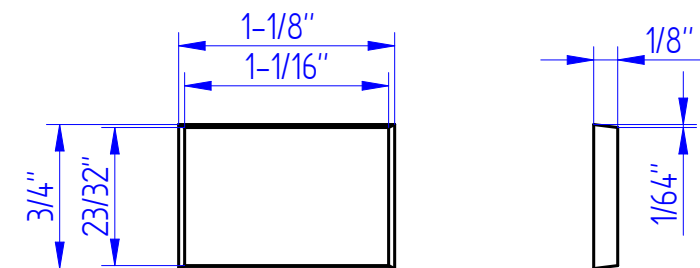


BRACKET
QUANTITY: 1 pc

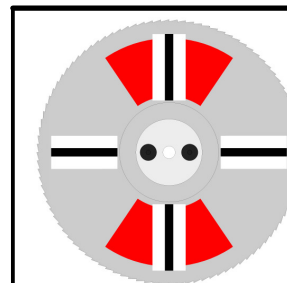


REAR DETAIL
OPTIONAL
QUANTITY: 1 pc
EXTENDS TO REAR OF BODY



PLATE

Quantity: 2 pcs (FULL BUILD)
1 pc (PARTIAL BUILD)



TinyP

TITLE			Droid Saw	
SIZE	PART	REV		
A3	Droid Saw - Front Details	1.0		
FILE NAME: Droid_Saw_Front_Details.pdf				
SCALE: 1:1		WEIGHT:		SHEET 1 OF 1

UNDER REVIEW

UNLESS OTHERWISE SPECIFIED
DIMENSIONS ARE IN INCHES